



DA Series™

Dock Access Series
Tuckaway Style Liftgate

2500 lb. to 3000 lb. Capacities

SERVICE PARTS LOCATOR

For Models: DA25 • DA30



Ultron Lift Inc.
Les Hayons Ultron Inc.
12 Industrial St.
Toronto, ON M4G 1Y9 Canada
Phone: 416-421-7987
Fax: 416-421-7927

Ultron Lift Corp.
190 Lewis St. • PO Box 6126
Buffalo, NY 14240-6126 USA
Phone: 800-289-1335
716-853-7994
Fax: 716-854-5424

www.ultronlift.com

Introduction

Each Ultron liftgate is manufactured to stringent quality standards for years of reliable service. To ensure maximum performance of your Ultron liftgate, always specify and use “OEM Parts” from Ultron Lift.* Look for Ultron Lift “OEM Parts” display rack at your local distributor or call us.

This manual is a complete parts listing for DA Liftgates from 2500 to 3000 lb. capacity. We have provided charts and diagrams to make the selection of the correct part as easy as possible.

This manual does not provide procedures for the servicing and repair of an Ultron liftgate. Service and repair should only be performed by an authorized Ultron Lift distributor. For information on the nearest authorized Ultron Lift distributor contact:



Ultron Lift Inc.
Les Hayons Ultron Inc.
12 Industrial St.
Toronto, ON M4G 1Y9 Canada
Phone: 416-421-7987
Fax: 416-421-7927

Ultron Lift Corp.
190 Lewis St. • PO Box 6126
Buffalo, NY 14240-6126 USA
Phone: 800-289-1335
716-853-7994
Fax: 716-854-5424

www.ultronlift.com

** The use of non-standard or makeshift parts can be extremely hazardous and result in serious injury or death.*

Table of Contents

Introduction 1

General Information 3

Ordering Information 4

Key Components 5

Housing..... 6

Lifting Components 7

Platform..... 8

Electrical Components 9

Hydraulic Assembly 10

Hydraulic Assembly – Power Down 11

Hydraulic Assembly – Twin Cylinder..... 12

Hydraulic Assembly – Twin Cylinder – Power Down..... 13

Hydraulic Power Unit Assembly 14

Hydraulic Power Unit Assembly – Power Down..... 15

Decals 16

Help and Service..... 17

General Information

MODEL NUMBER CODING

The code and model numbers of a liftgate are references to its size, type and capacity. Using these numbers when ordering or specifying improves customer satisfaction and delivery.

Model Number: **DA258542TC**

<u>DA</u>	<u>25</u>	<u>85</u>	<u>42</u>	<u>TC</u>
1	2	3	4	5

1. **LIFTGATE TYPE**
DA = Tuckaway Style Liftgate
2. **WEIGHT CAPACITY**
25 = 2500 lb. capacity
30 = 3000 lb. capacity
3. **WIDTH OF PLATFORM**
72 = 72" of platform loading area
85 = 85" of platform loading area
4. **DEPTH OF PLATFORM** (not including ramp)
42 = 42" of platform loading area
5. **CYLINDER OPTION**
TC = Twin Cylinder
Blank = Single Cylinder

Ordering Information

STEP 1 Determine the assembly on which the desired part is located using either the Table of Contents (page 2) or the Key Components diagram (page 5)

STEP 2 Identify the Item number from the appropriate part in the assembly diagram.

STEP 3 Locate the appropriate row listing the Item number in the table below the assembly diagram.

ITEM #	DESCRIPTION	DA25	DA30
1	PLATFORM	25291	30513
2	OPENING ARM	25271	
3	PARALLEL ARM ASSY	25279	30536

STEP 4 Locate the column in the table that matches your model liftgate.

ITEM #	DESCRIPTION	DA25	DA30
1	PLATFORM	25291	30513
2	OPENING ARM	25271	
3	PARALLEL ARM ASSY	25279	30536

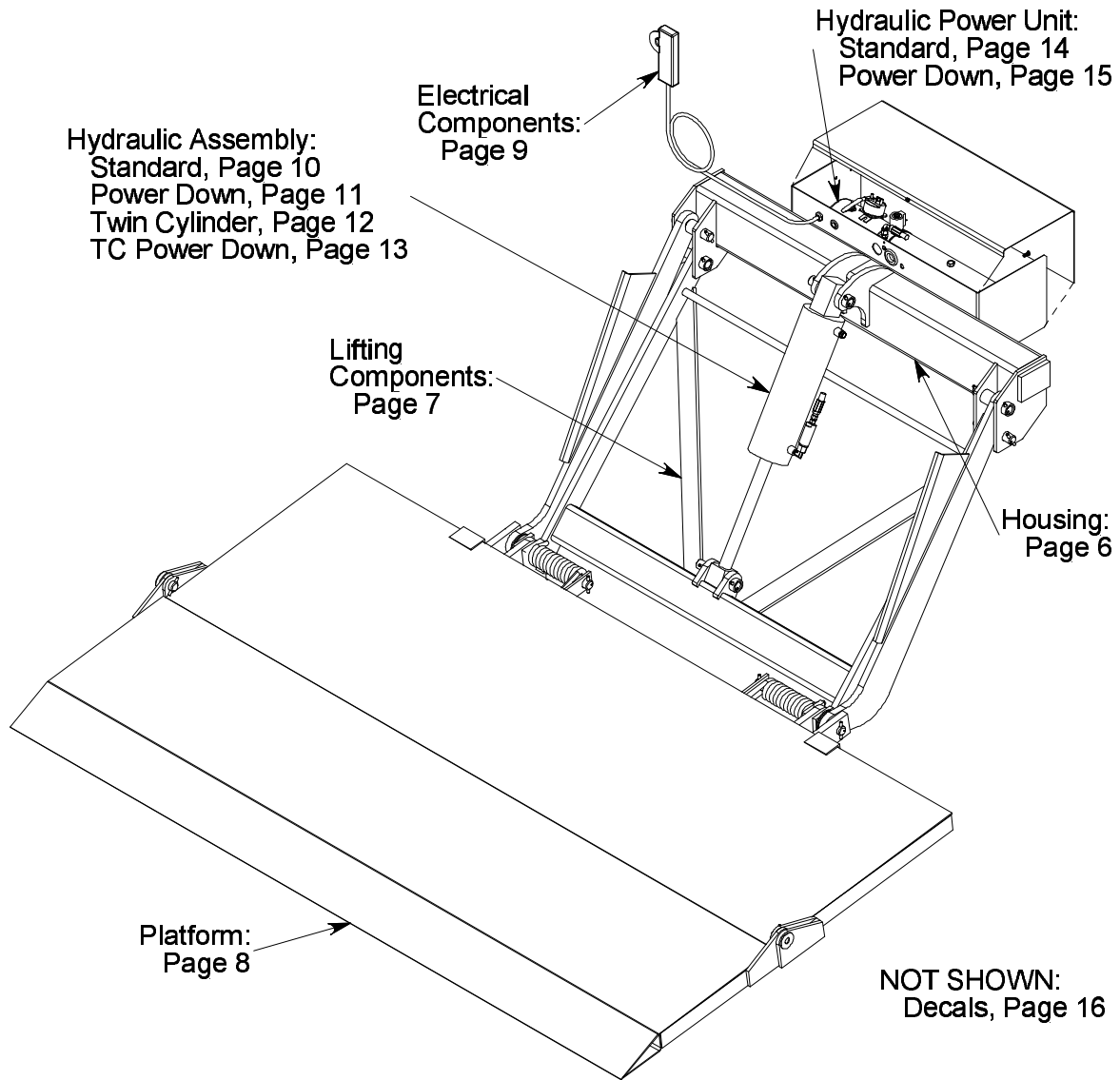
STEP 6 Find the correct part number.

ITEM #	DESCRIPTION	DA25	DA30
1	PLATFORM	25291	30513
2	OPENING ARM	25271	
3	PARALLEL ARM ASSY	25279	30536

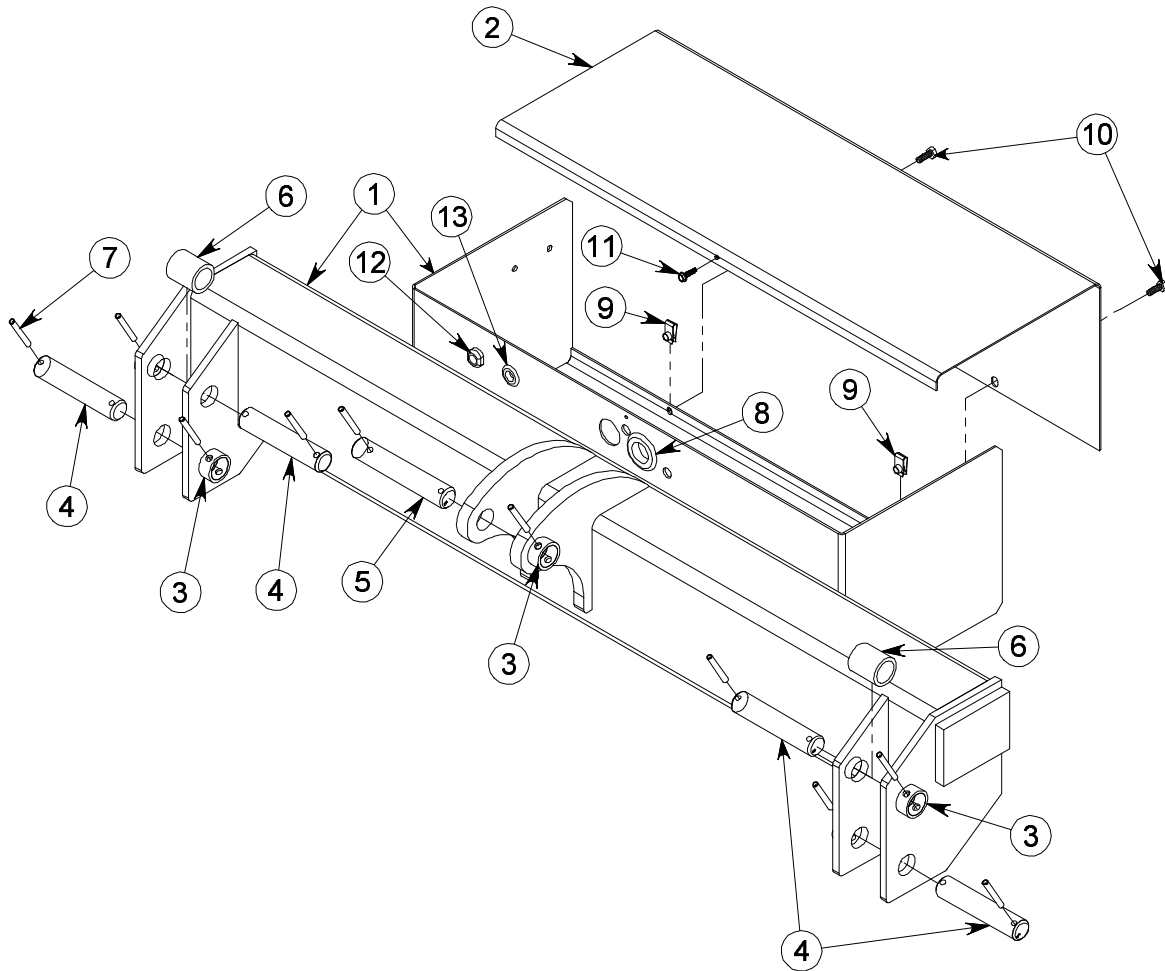
STEP 7 Order the part

Model Number: DA258542TC
 Part Name: PARALLEL ARM ASSY
 Quantity Required: 1
 Part Number: 25279

Key Components

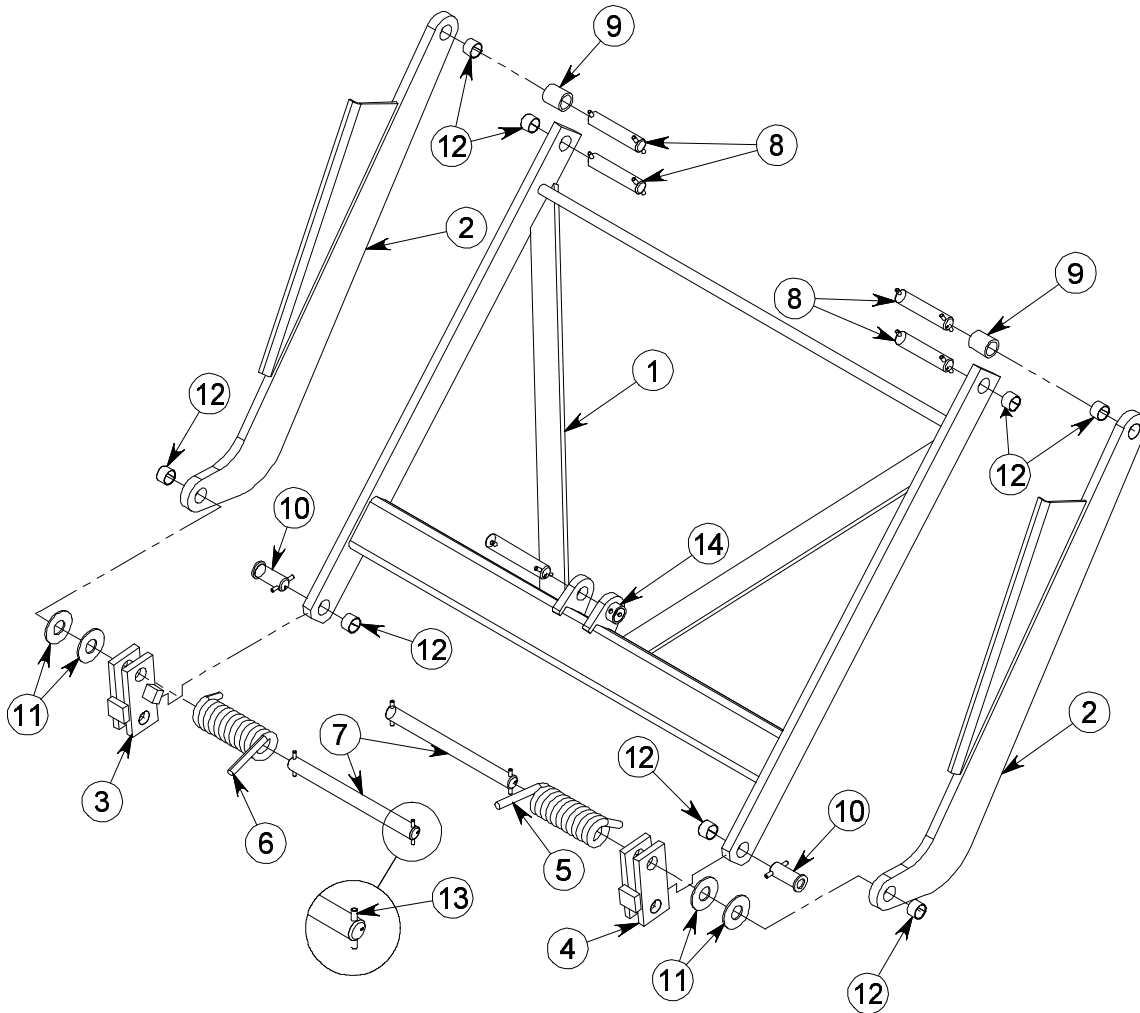


Housing



ITEM #	DESCRIPTION	DA25	DA30	DA30	QTY
				TC	
1	HOUSING ASSEMBLY	25263	25263-30	25465	1
2	COVER, PUMP BOX		25230		1
3	COLLAR, PIN RETAINING		25343		5
4	PIN, LIFT ARM		25298		4
5	PIN, CYLINDER		25297		5
6	SPACER	25104	N/A		2
7	ROLL PIN		25296		10
8	GROMMET, 1" ID	25433		N/A	1
9	TINNERMAN CLIP		20049		2
10	BOLT		20038		2
11	SCREW, SELF TAPPING		10079		1
12	STRAIN RELIEF, 3/4"		10048		1
13	GROMMET, 1/2" ID		14428		1

Lifting Components



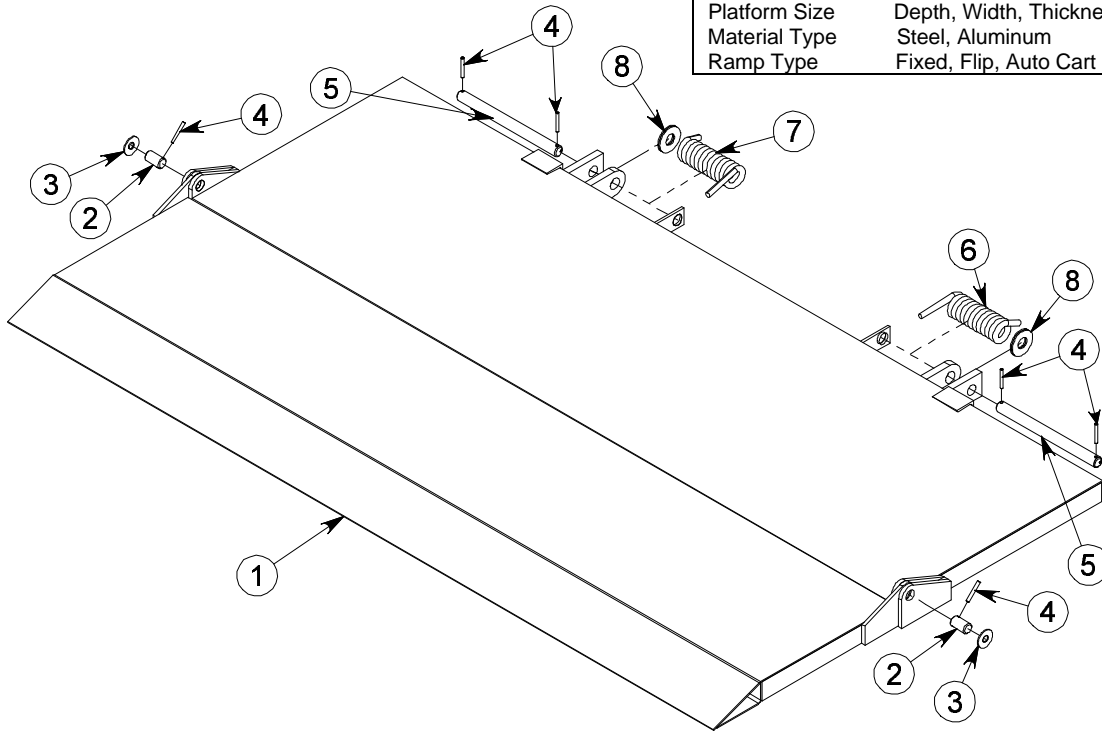
ITEM #	DESCRIPTION	DA25	DA30	DA30 TC	QTY
1	LIFT ARM ASSEMBLY	25278		25461	1
2	PARALLEL ARM ASSEMBLY	25279	30536		2
3	STOP BLOCK ASSEMBLY, LH	25286			1
4	STOP BLOCK ASSEMBLY, RH	25287			1
5	SPRING, PLATFORM LH	25301			1
6	SPRING, PLATFORM RH	25302			1
7	PIN, PLATFORM	25299			2
8	PIN, LIFT ARM	25298			4
9	SPACER, PIN	25104	N/A		2
10	PIN, STOP ASSEMBLY	25294			2
11	SPACER	25434	N/A		4
12	BUSHING	25445			8
13	ROLL PIN	25296			16
14	COLLAR, PIN RETAINING	25343			1

Platform

Platforms are available in many different sizes, material types, and special options. The chart below is given for general reference only.

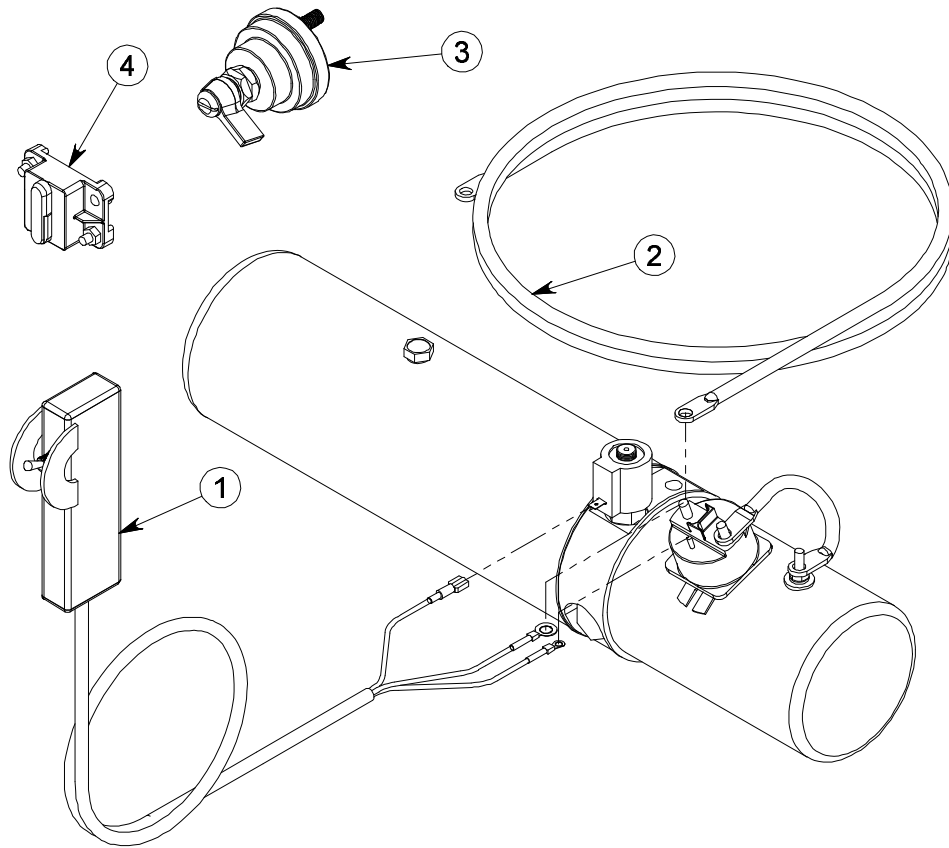
When ordering replacement platform sections, please provide the following information:

Platform Size	Depth, Width, Thickness
Material Type	Steel, Aluminum
Ramp Type	Fixed, Flip, Auto Cart Stop



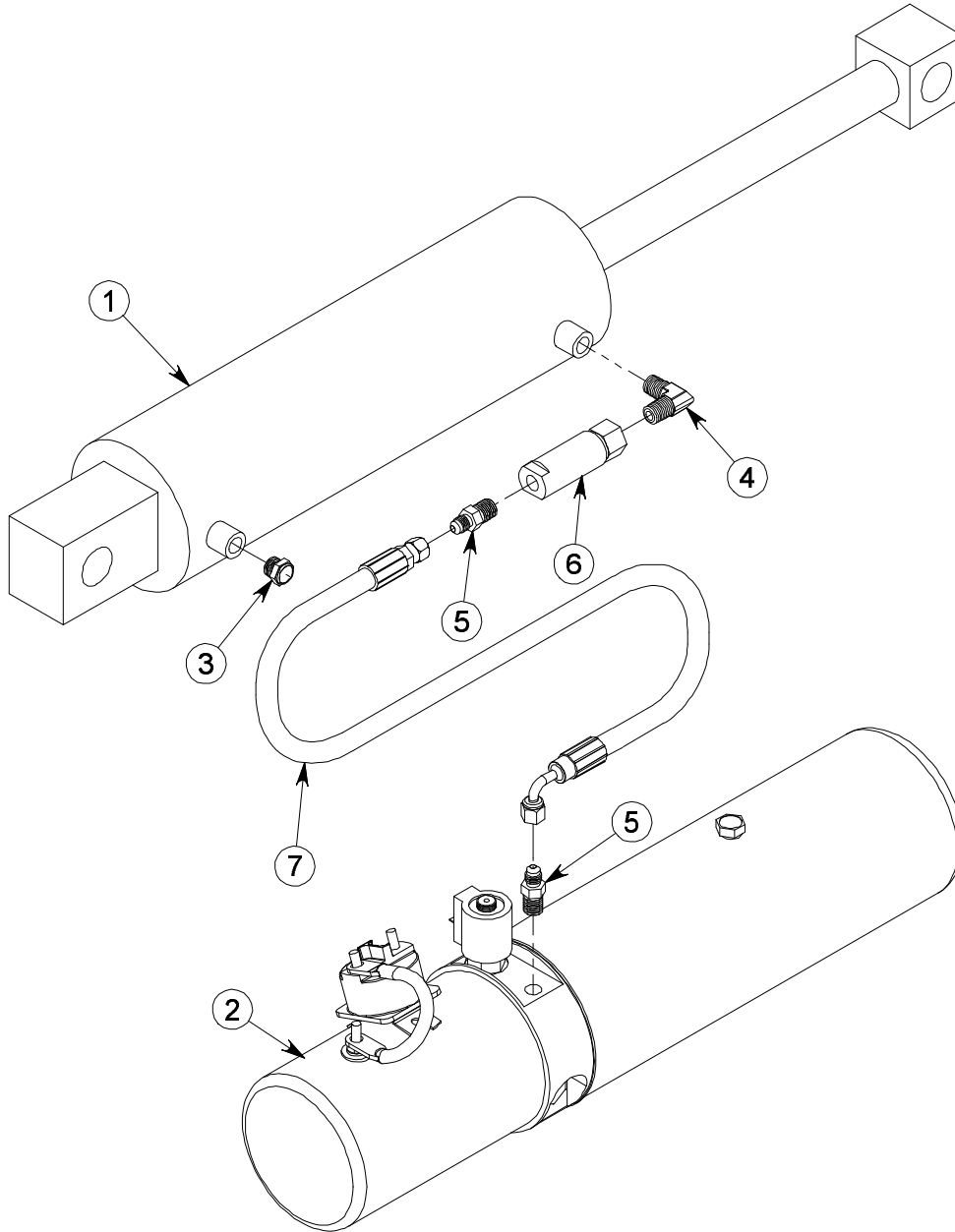
ITEM #	DESCRIPTION	DA2585	DA2578	DA30	DA30 TC	QTY
1	PLATFORM	25291	25290	30513	25466	1
2	PIN, PLATFORM FLIP		25429			2
3	WASHER		10226			2
4	ROLL PIN		25296			6
5	PIN, PLATFORM		25299			2
6	SPRING, PLATFORM, LH		25301			1
7	SPRING, PLATFORM, RH		25302			1
8	SPACER	25434		N/A	N/A	4

Electrical Components



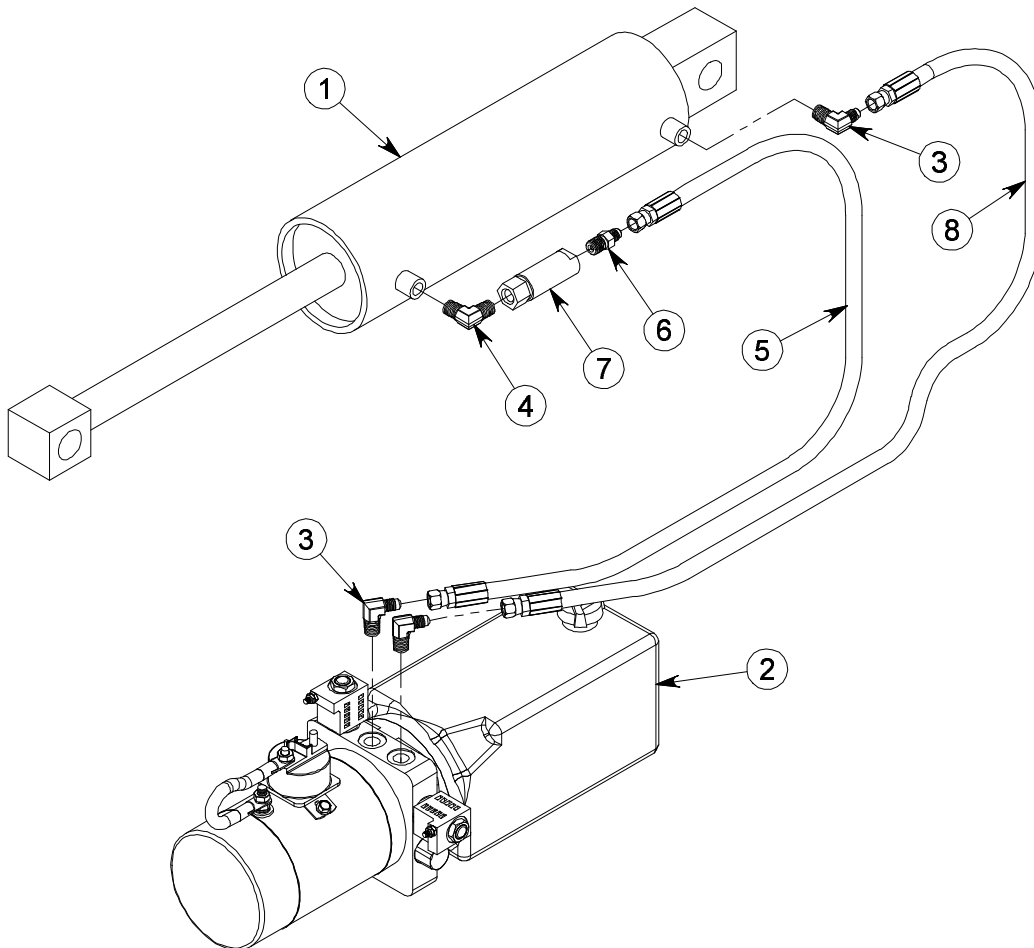
ITEM #	DESCRIPTION	PART #	QTY
1	TOGGLE SWITCH ASSEMBLY	10180	1
2	CABLE, BATTERY	10041	1
3	MASTER DISCONNECT SWITCH	20450	1
4	CIRCUIT BREAKER	20453	1

Hydraulic Assembly



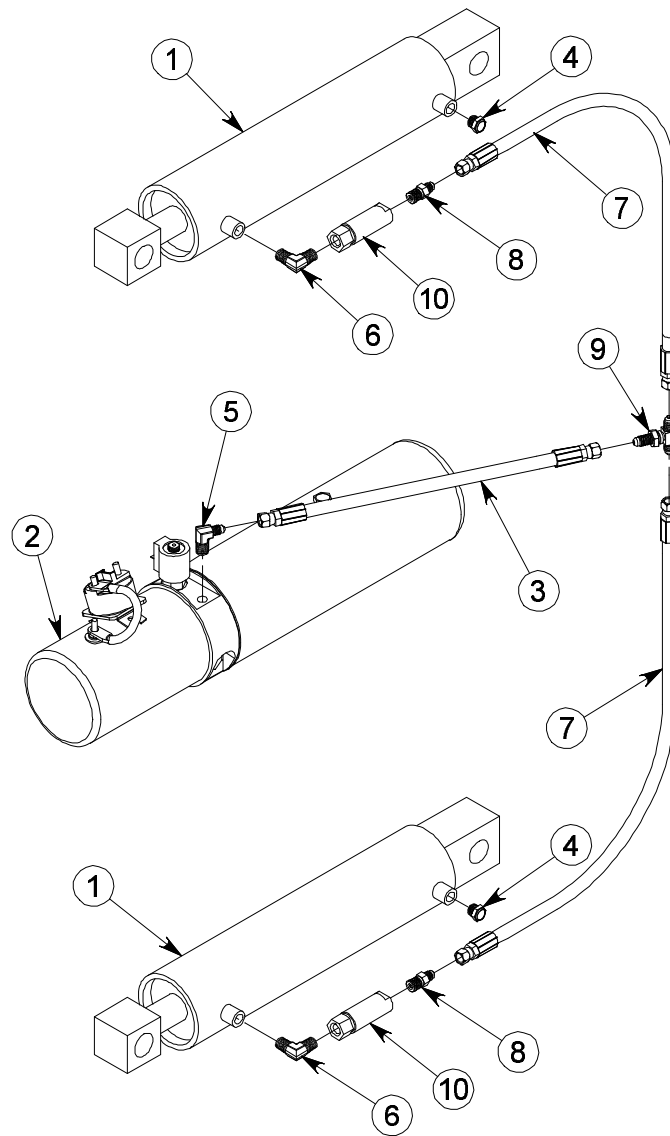
ITEM #	DESCRIPTION	STANDARD	LOW BED	QTY
1	CYLINDER	3 7/8" X 20 3/8" 25258	3 7/8" X 17 1/4" 25257	1
2	POWER UNIT, DB1292-A		20580	1
3	BREATHER		20158	1
4	FITTING, 90° MALE NPT		20473	1
5	FITTING, STRAIGHT, NPT-JIC		25021	2
6	FLOW CONTROL		25181	1
7	HOSE, HIGH PRESSURE, 36"		25226	1

Hydraulic Assembly – Power Down



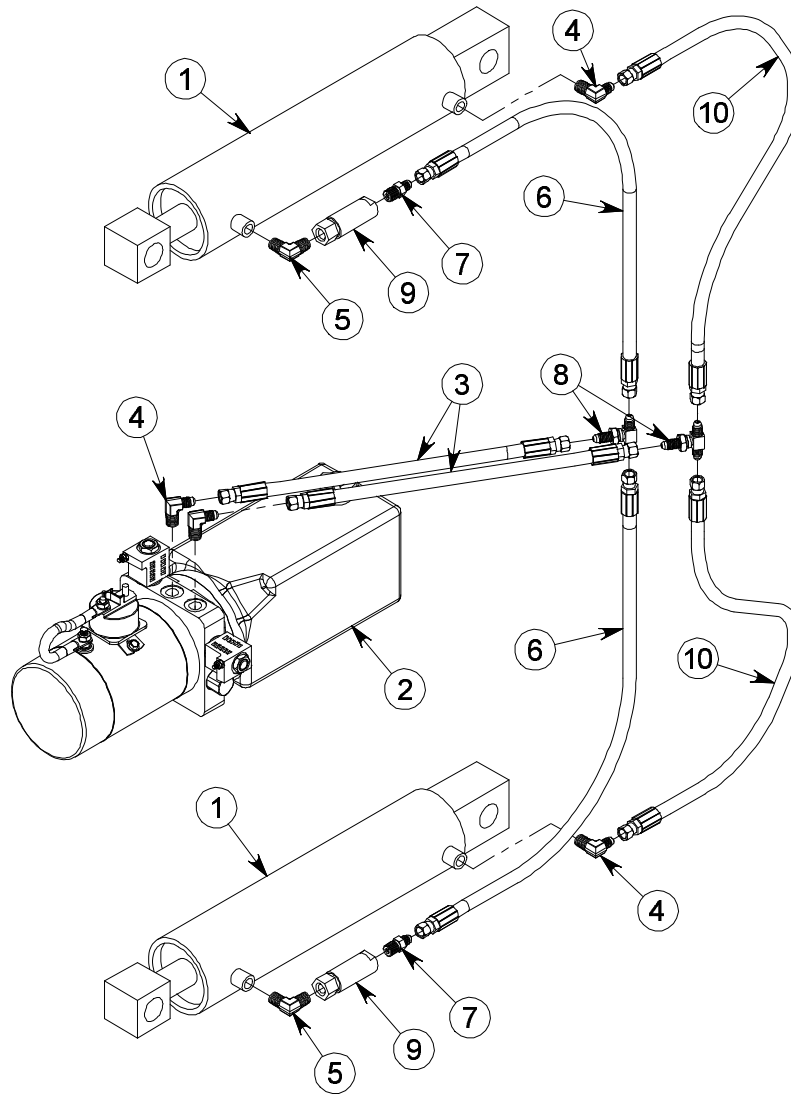
ITEM #	DESCRIPTION	STANDARD	LOW BED	QTY
1	CYLINDER	3 7/8" X 20 3/8" 25258	3 7/8" X 17 1/4" 25257	1
2	POWER UNIT, DB-1534	DB-1534		1
3	FITTING, 90°, NPT-JIC	20365		3
4	FITTING, 90°, NPT-NPT	20473		1
5	HOSE, HIGH PRESSURE, 48"	25019		1
6	FITTING, NPT-JIC	25021		1
7	FLOW CONTROL	25181		1
8	HOSE, HIGH PRESSURE, 32"	25444		1

Hydraulic Assembly – Twin Cylinder



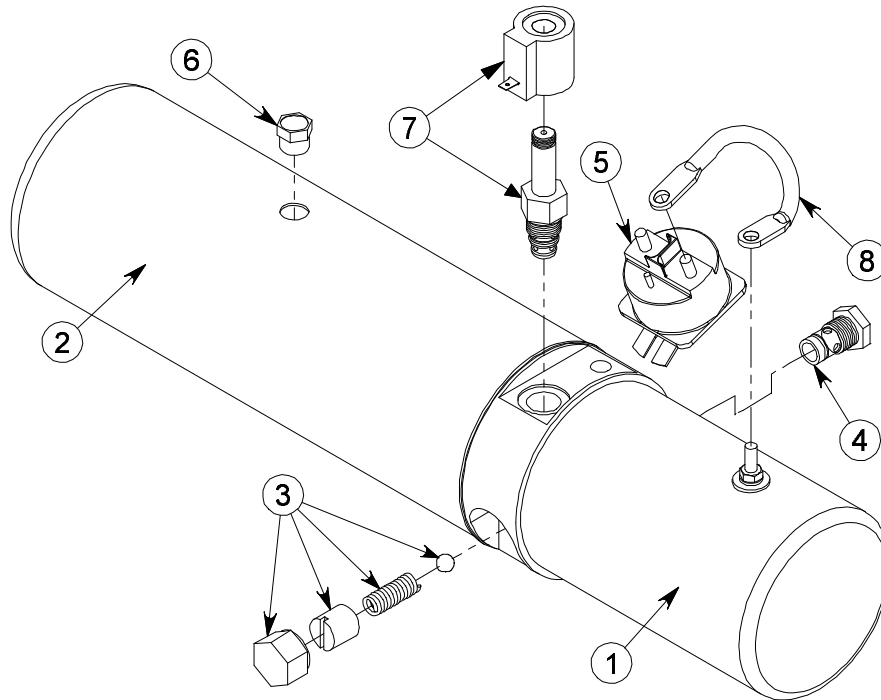
ITEM #	DESCRIPTION	STANDARD	LOW BED	QTY
1	CYLINDER	3 1/4" X 20 3/8" 16320	3 1/4" X 17 1/4" 16319	2
2	POWER UNIT, DB1292-A		20580	1
3	HOSE, HIGH PRESSURE, 12"		10107	1
4	BREATHER		20158	2
5	FITTING, 90°, NPT-JIC		20365	1
6	FITTING, 90°, NPT-NPT		20473	2
7	HOSE, HIGH PRESSURE, 48"		25019	2
8	FITTING, STRAIGHT, NPT-JIC		25021	2
9	FITTING, BULKHEAD, JIC		25022	1
10	FLOW CONTROL		25179	2

Hydraulic Assembly – Twin Cylinder – Power Down



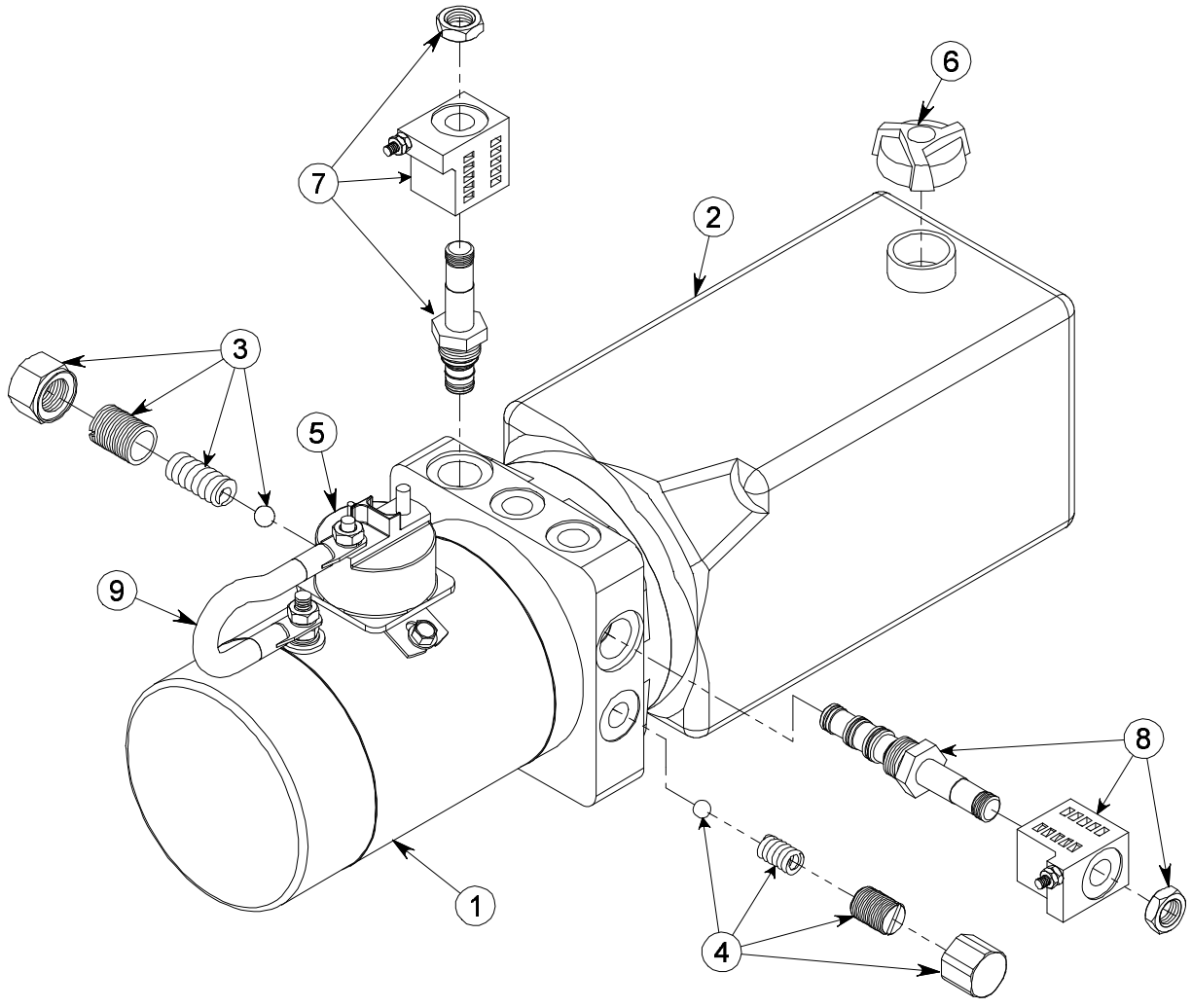
ITEM #	DESCRIPTION	STANDARD	LOW BED	QTY
1	CYLINDER	3 1/4" X 20 3/8" 16320	3 1/4" X 17 1/4" 16319	2
2	POWER UNIT, DB-1534	DB-1534		1
3	HOSE, HIGH PRESSURE, 12"	10107		2
4	FITTING, 90°, NPT-JIC	20365		4
5	FITTING, 90°, NPT-NPT	20473		2
6	HOSE, HIGH PRESSURE, 48"	25019		2
7	FITTING, STRAIGHT, NPT-JIC	25021		2
8	FITTING, BULKHEAD, JIC	25022		2
9	FLOW CONTROL	25179		2
10	HOSE, HIGH PRESSURE, 32"	25443		2

Hydraulic Power Unit Assembly



ITEM #	DESCRIPTION	PART #	QTY
	POWER UNIT ASSEMBLY, DB1292-A	20580	1
1	MOTOR,	25163	1
2	RESERVOIR	25480	1
3	VALVE, RELIEF	68226	1
4	VALVE, CHECK	25477	1
5	SOLENOID, 12VDC	20722	1
6	BREATHER	12291	1
7	VALVE, RELEASE	10137	1
8	CABLE, SOLENOID	10022	1

Hydraulic Power Unit Assembly – Power Down

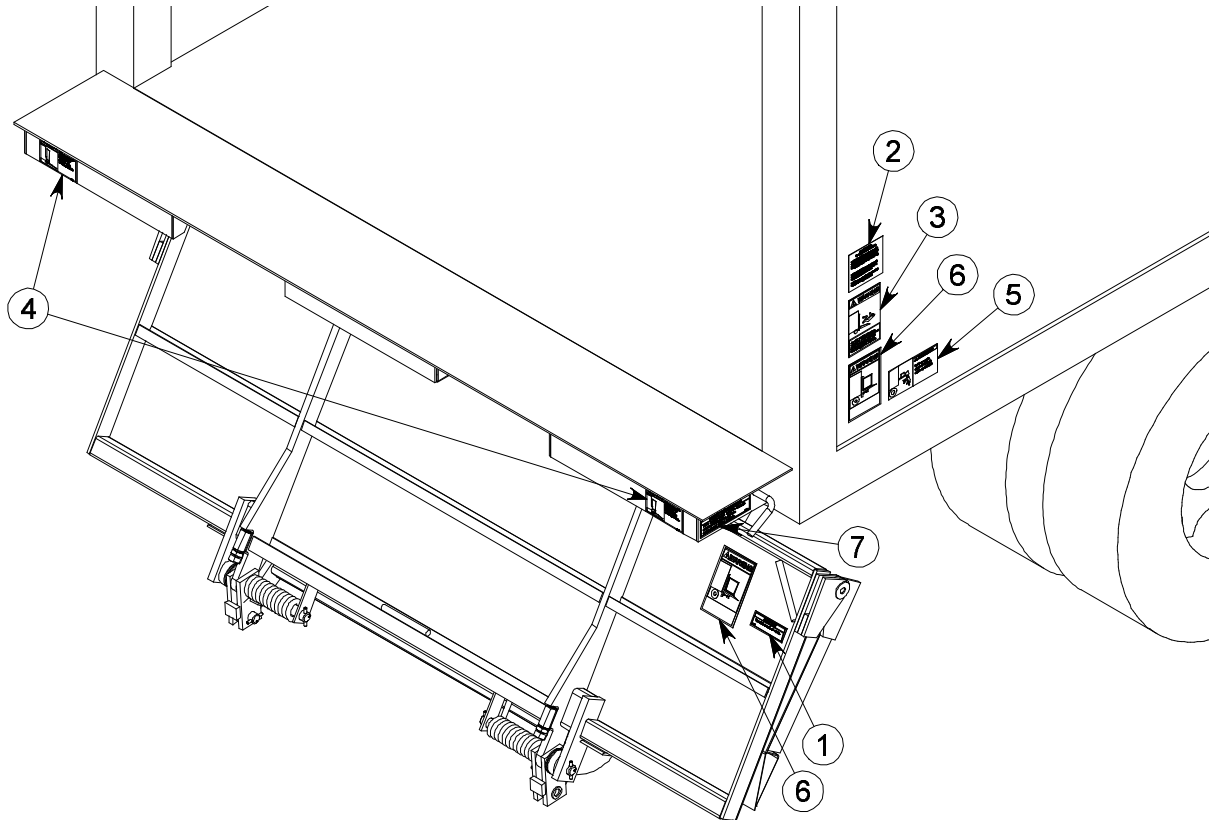


ITEM #	DESCRIPTION	PART #	QTY
	POWER UNIT ASSEMBLY, DB-1534	DB-1534	1
1	MOTOR,		1
2	RESERVOIR		1
3	VALVE, RELIEF, LG	68226	1
4	VALVE, RELIEF, SM		1
5	SOLENOID, 12VDC	20722	1
6	CAP		1
7	VALVE, RELEASE		1
8	VALVE, RELEASE		1
9	CABLE, SOLENOID	10022	1

Decals

Properly placed warning decals are an essential part of your safety program. Check that all safety decals are in place and are legible. Any missing decals **MUST** be replaced immediately. Replacement decals may be obtained **FREE** of charge from your distributor or by phoning, writing, or faxing us.

Following are the proper decals that you should have and their proper locations:



ITEM #	DESCRIPTION	UNITED STATES		CANADA		QTY
		DA25	DA30	DA25	DA30	
1	CAUTION, USE HANDLE	10277				1
2	URGENT WARNING	16181		20427		1
3	WARNING, AVOID RIDING	16182		20411		1
4	DANGER, LIFTGATE CAN CRUSH	16184		20426		2
5	WARNING, KEEP CLEAR	20425		20428		1
6	WARNING, MAX. CAPACITY	20599	16185	25090	30426	2
7	SAFETY, TURN LATCH	25124				1

Help and Service

With careful maintenance and operation your **Ultron** liftgate should give you years of trouble free use. If a problem does develop, contact your liftgate distributor. They are best equipped to service your liftgate.

If you have suspected warranty problems, contact the distributor from whom you purchased the liftgate. They will normally process your claim from start to finish.

Your distributor will repair your liftgate and get you on the road as quickly as possible. They may invoice you for this service. If the problem is found to be warrantable by Ultron Lift Corp., Ultron liftgates will issue your Distributor a credit, which should then be credited back to you.