



Medium Duty

DL Series™

Chain and sprocket drive offers weight savings, reduced maintenance, and greater load stability over competitive arcing design.

Key Features

- Available with aluminum platform up to 72" deep
- Compact, weight saving design increases payload and fuel efficiency
- Reduced maintenance with integrated 12 VDC motor, tank and pump enclosed in the weather sealed housing
- Built in toe deflector
- Three year warranty
- **Lifting capacity** - 1,250 - 3,000 lbs.
- **Applications** - straight trucks, cube, cutaway, or step vans, flat beds and dual wheel service bodies

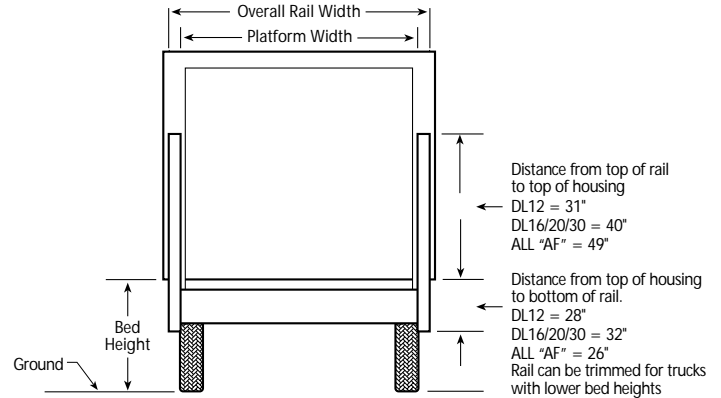
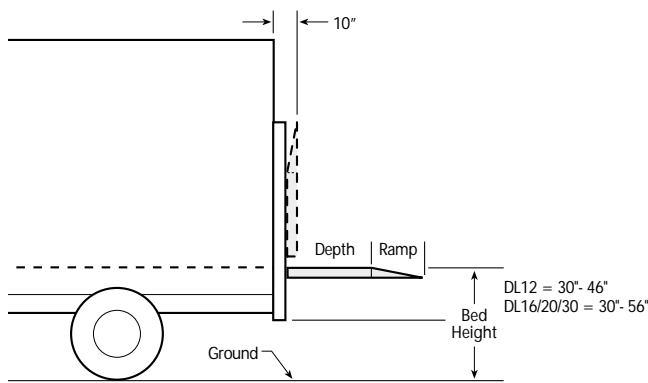


Call 800-289-1335 in the U.S.
416-421-7987 in Canada

Visit our web site: www.ultronlift.com

Medium Duty Railgate Product Information

Clearance and Lift Dimensions



Specifications

Model*	Capacity lbs.	Weight lbs.	Overall Rail width"	Available Platform Sizes			Material
				width"	depths"	ramp"	
DL1278-94	1250	425	78, 94	73, 89	30, 36	6	steel
DL1278-94A	1250	400	78, 94	73, 89	30, 36	6	aluminum
DL1278-94AF	1250	505	78, 94	73, 89	30, 36	6	steel
DL1278-94AFA	1250	450	78, 94	73, 89	30, 36	6	aluminum
DL1694	1600	475	94	89	30, 36, 42	6	steel
DL1694A	1600	450	94	89	30, 36, 42, 48, 54, 60	6	aluminum
DL1694AF	1600	540	94	89	30, 36, 42	6	steel
DL1694AFA	1600	475	94	89	30, 36, 42, 48, 54, 60	6	aluminum
DL2094	2000	490	94	89	30, 36, 42, 48	6	steel
DL2094A	2000	465	94	89	30, 36, 42, 48, 54, 60	6	aluminum
DL2094AF	2000	550	94	89	30, 36, 42, 48	6	steel
DL2094AFA	2000	525	94	89	30, 36, 42, 48, 54, 60	6	aluminum
DL3094	3000	565	94	89	30, 36, 42, 48	6	steel
DL3094A	3000	565	94	89	30, 36, 42, 48	6	aluminum
DL3094AF	3000	600	94	89	30, 36, 42, 48	6	steel
DL3094AFA	3000	575	94	89	30, 36, 42, 48	6	aluminum

* AF and AFA denotes models with above floor lift. These models will lift to a maximum of 46" from ground. Door opening will be reduced by 2".

Popular Options

- Aluminum, galvanized, expanded metal or bar grating platform material
- Oversized ramp - fixed, hinged or with cart stop in aluminum or steel
- Deeper, narrower or wider platforms
- Lights built into the housing
- Remote hand held toggle switch control with 15 ft. coil cord
- Low maintenance value pak
- Trailer installation packages
- Additional toggle controls
- Hydraulic platform opening and closing reduces platform width by 4"

Standard Features

- Fast delivery, even on special units with options
- Same day parts service
- Housing fully protects the power unit
- Master disconnect switch and 135 amp circuit breaker
- Billboard cover for corporate graphics
- Meets TMC specifications
- Weather sealed electronic controls are easier and safer than mechanical controls
- Anti-skid treadplate platform and ramp for better grip
- Straight up and down movement keeps the cargo stable



Authorized Distributor

E-mail: info@ultronlift.com • Web: www.ultronlift.com

Ultron Lift Corp.
 190 Lewis Street • PO Box 6126
 Buffalo, NY 14240-6126 USA
 Phone: 800-289-1335
 716-853-7994
 Fax: 716-854-5424

Ultron Lift Inc.
Les Hayons Ultron Inc.
 12 Industrial Street
 Toronto, ON M4G 1Y9 Canada
 Phone: 416-421-7987
 Fax: 416-421-7927