



DL Series™

Medium Duty Series
Rail Style Liftgate

1250 lb. to 3000 lb. Capacities

SERVICE PARTS LOCATOR

For Models: DL12 • DL16 • DL20 • DL30



Ultron Lift Inc.
Les Hayons Ultron Inc.
12 Industrial St.
Toronto, ON M4G 1Y9 Canada
Phone: 416-421-7987
Fax: 416-421-7927

Ultron Lift Corp.
190 Lewis St. • PO Box 6126
Buffalo, NY 14240-6126 USA
Phone: 800-289-1335
716-853-7994
Fax: 716-854-5424

www.ultronlift.com

Introduction

Each Ultron liftgate is manufactured to stringent quality standards for years of reliable service. To ensure maximum performance of your Ultron liftgate, always specify and use “OEM Parts” from Ultron Lift.* Look for Ultron Lift “OEM Parts” display rack at your local distributor or call us.

This manual is a complete parts listing for DL Liftgates from 1250 to 3000 lb. capacity. We have provided photos, charts, and diagrams to make the selection of the correct part as easy as possible.

This manual does not provide procedures for the servicing and repair of an Ultron liftgate. Service and repair should only be performed by an authorized Ultron Lift distributor. For information on the nearest authorized Ultron Lift distributor contact:



Ultron Lift Inc.
Les Hayons Ultron Inc.
12 Industrial St.
Toronto, ON M4G 1Y9 Canada
Phone: 416-421-7987
Fax: 416-421-7927

Ultron Lift Corp.
190 Lewis St. • PO Box 6126
Buffalo, NY 14240-6126 USA
Phone: 800-289-1335
716-853-7994
Fax: 716-854-5424

www.ultronlift.com

** The use of non-standard or makeshift parts can be extremely hazardous and result in serious injury or death.*

Table of Contents

Introduction 1

General Information 3

Ordering Information 4

Key Components 5

H-Frame - Above Floor (AF) 6

H-Frame - Standard 7

Internal H-Frame Components (Including Above Floor)..... 8

Platform..... 9

Electrical Components 10

Slider Assembly 11

Cylinder Assembly 12

Hydraulic Power Unit Assembly 13

Light Option..... 14

Decals 15

Help and Service..... 16

General Information

MODEL NUMBER CODING

The code and model numbers of a liftgate are references to its size, type and capacity. Using these numbers when ordering or specifying improves customer satisfaction and delivery.

Model Number: **DL209436AF**

<u>DL</u>	<u>20</u>	<u>94</u>	<u>36</u>	<u>AF</u>
1	2	3	4	5

1. **LIFTGATE TYPE**

DL = Medium Duty Liftgate

2. **WEIGHT CAPACITY**

12 = 1250 lb. capacity

16 = 1600 lb. capacity

20 = 2000 lb. capacity

30 = 3000 lb. capacity

3. **WIDTH OF LIFTGATE FROM OUTSIDE OF LEFT RAIL TO OUTSIDE OF RIGHT RAIL**

78 = 78" overall width

94 = 94" overall width

4. **DEPTH OF PLATFORM** (not including ramp)

30 = 30" of platform loading area

36 = 36" of platform loading area

42 = 42" of platform loading area

48 = 48" of platform loading area

54 = 54" of platform loading area

60 = 60" of platform loading area

5. **STANDARD FLOOR HEIGHT UP TO 56" OR ABOVE THE FLOOR LIFT UP TO 56"***

A = Aluminum Platform

AF = Above Floor

AFA = Above Floor Aluminum Platform

Blank = Standard liftgate

*DL12 STANDARD FLOOR HEIGHT UP TO 46" OR ABOVE THE FLOOR LIFT UP TO 56"

Ordering Information

STEP 1 Determine the assembly on which the desired part is located using either the Table of Contents (page 2) or the Key Components diagram (page 5)

STEP 2 Identify the Item number from the appropriate part in the assembly diagram.

STEP 3 Locate the appropriate row listing the Item number in the table below the assembly diagram.

ITEM #	DESCRIPTION	DL16	DL20	DL30
1	SPROCKET	20013		30007
2	PIN, SPROCKET		20016	
3	PIN RETAINER		20018	

STEP 4 Locate the column in the table that matches your model liftgate.

ITEM #	DESCRIPTION	DL16	DL20	DL30
1	SPROCKET	20013		30007
2	PIN, SPROCKET		20016	
3	PIN RETAINER		20018	

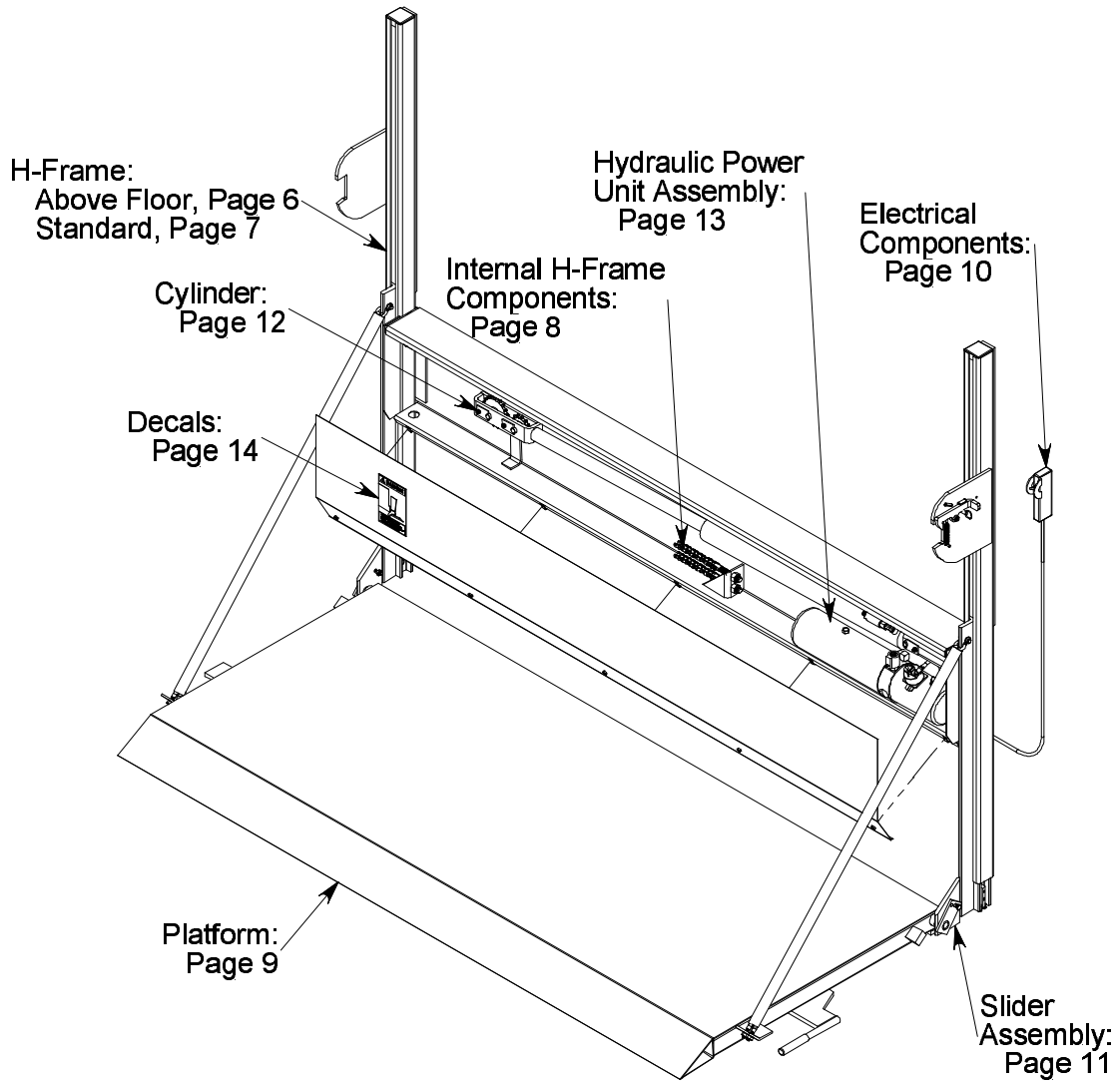
STEP 6 Find the correct part number.

ITEM #	DESCRIPTION	DL16	DL20	DL30
1	SPROCKET	20013		30007
2	PIN, SPROCKET		20016	
3	PIN RETAINER		20018	

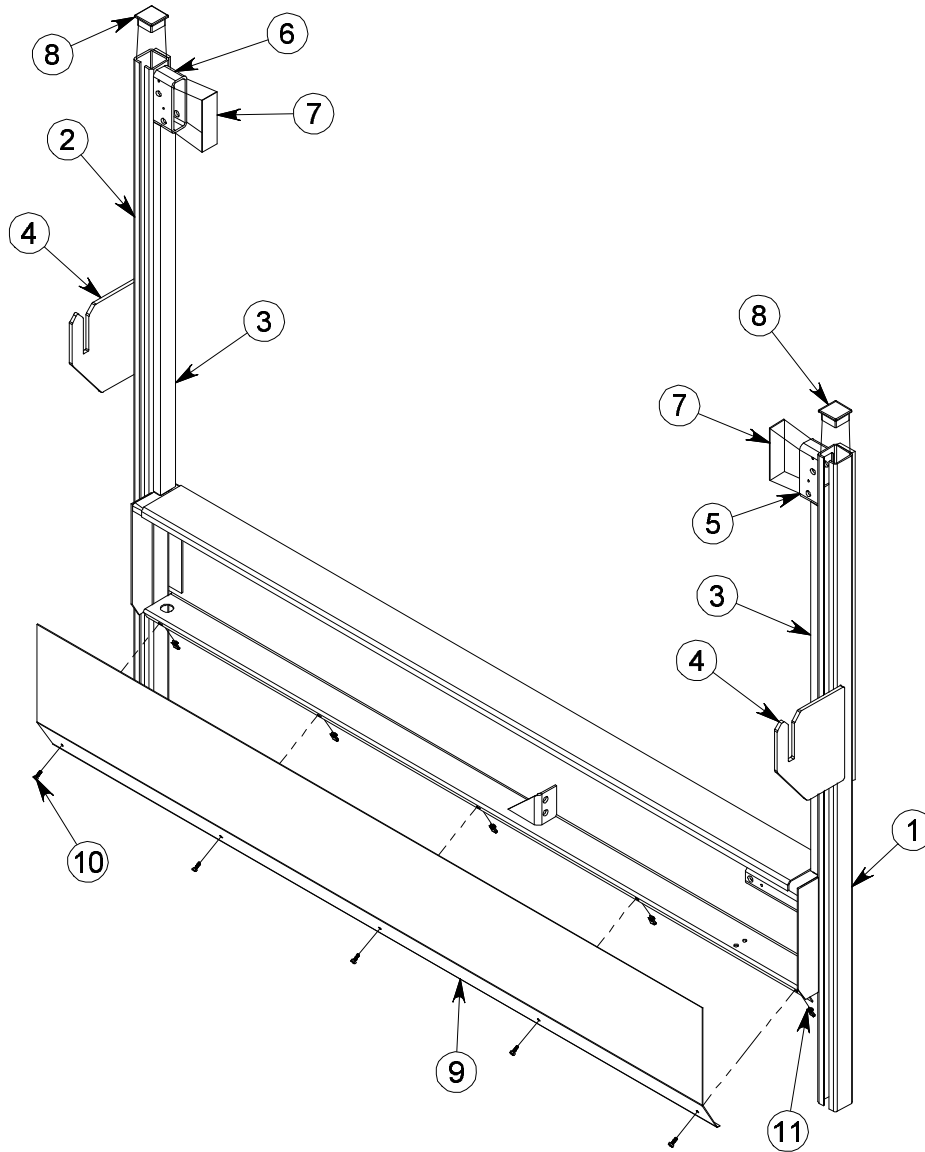
STEP 7 Order the part

Model Number: DL209436AF
 Part Name: Sprocket
 Quantity Required: 1
 Part Number: 20013

Key Components

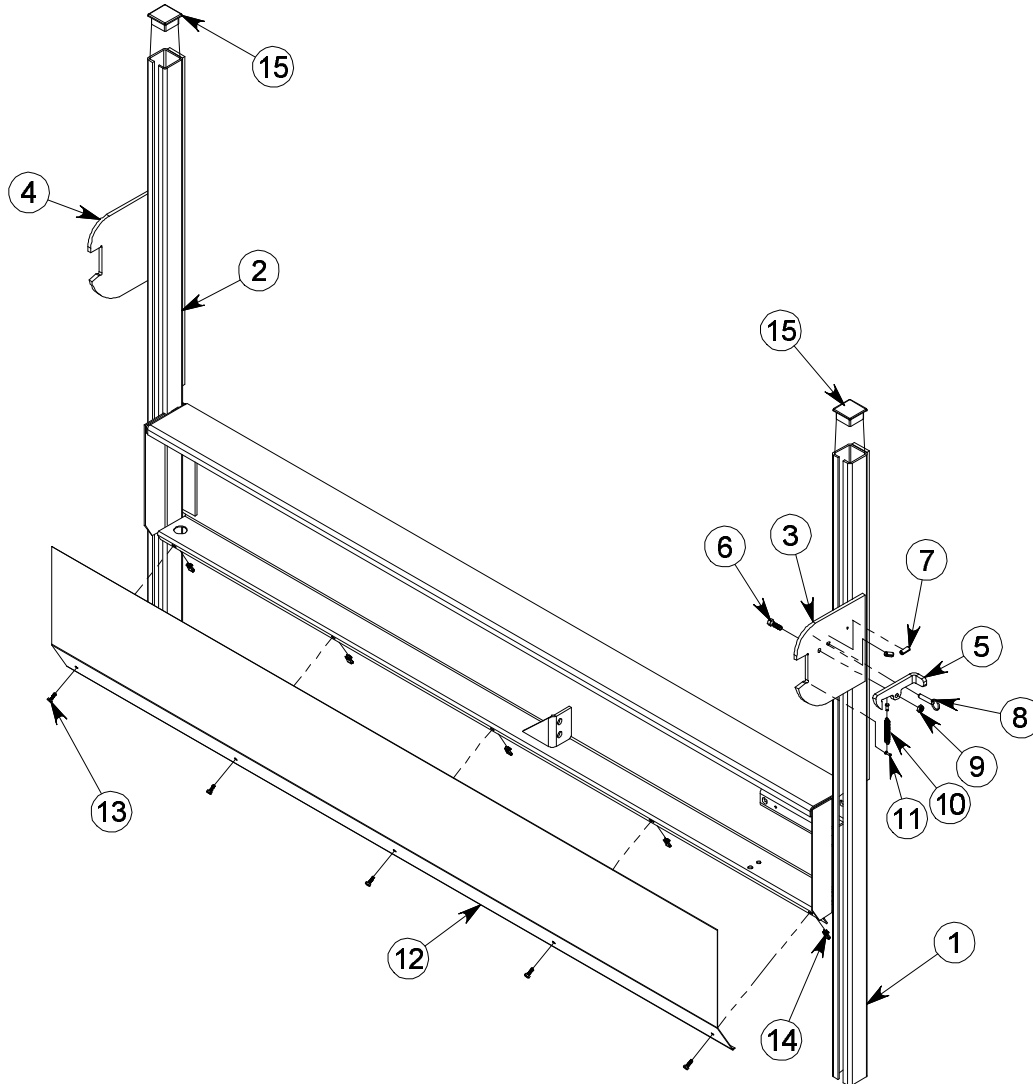


H-Frame - Above Floor (AF)



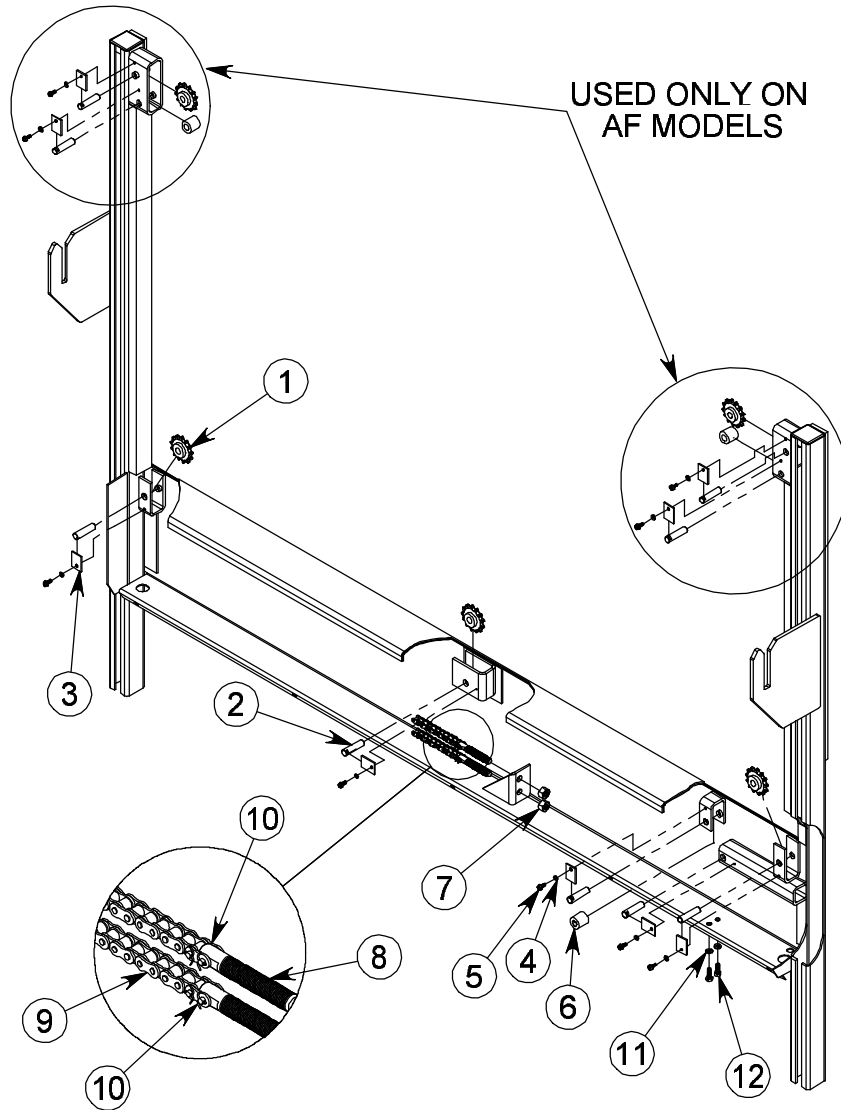
ITEM #	DESCRIPTION	DL1278	DL1294	DL16	DL20	DL30	QTY
	ENTIRE H-FRAME ASSY	12284	12285	16359	20369	20369	1
1	TRACK, RH			20082			1
2	TRACK, LH			20083			1
3	CHAIN COVER			16085			2
4	TRAVEL PLATE	10007			16152		2
5	SPROCKET BOX, AF, RH			20080			1
6	SPROCKET BOX, AF, LH			20081			1
7	COVER, SPROCKET BOX, AF			20079			2
8	RAIL CAP			12045			2
9	HOUSING COVER	12058			20029		1
10	BOLT			20038			5
11	TINNERMAN CLIP			20049			5

H-Frame - Standard



ITEM #	DESCRIPTION	DL1278	DL1294	DL16	DL20	DL30	QTY
	ENTIRE H-FRAME ASSY	12282	12283	16358	20368	20368	1
1	TRACK, RH	20082					1
2	TRACK, LH	20083					1
3	TRAVEL PLATE ASSEMBLY, RH	10007		20048			1
4	TRAVEL PLATE, LH	10007		20051			1
5	SNAP LOCK LATCH	N/A		20039			1
6	BOLT	N/A		10085			1
7	ROLL PIN	N/A		10194			2
8	AIRCRAFT PIN	N/A		16148			1
9	NUT	N/A		20010			1
10	SPRING	N/A		20047			2
11	CLEVIS PIN	N/A		20161			2
12	HOUSING COVER	12058		20029			1
13	BOLT			20038			5
14	TINNERMAN CLIP			20049			5
15	RAIL CAP			12045			2

Internal H-Frame Components (Including Above Floor)



ITEM #	DESCRIPTION	DL12	DL16	DL20	DL30	QTY	
						STD	AF
1	SPROCKET, WITH BEARING		20013		30007	3	5
2	PIN, SPROCKET		20016			3/4*	8/9*
3	PIN RETAINER, SPROCKET		20018			3/4*	8/9*
4	WASHER		10256			3/4*	8/9*
5	SCREW, SELF TAPPING		10255			3/4*	8/9*
6	ROLLER, NYLON		20367			0	3
7	BOLT, CHAIN ANCHOR		20007		30003		2
8	NUT, CHAIN ANCHOR		20090				2
9	CHAIN, ROLLER		20044		30021		2
10	CHAIN, MASTER LINK		20010		30004		2
11	WASHER		10092				2
12	BOLT		20211				2

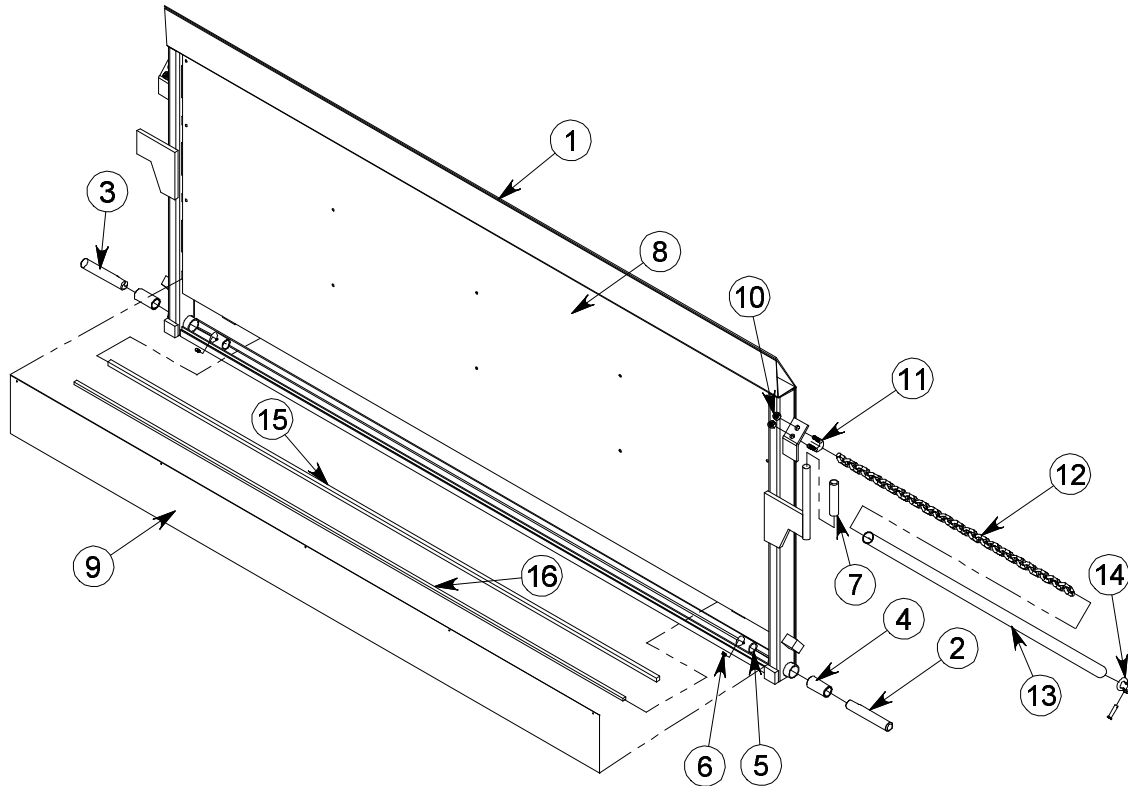
* DL12 & DL16 / DL20 & DL30

Platform

Platforms are available in many different sizes, material types, and special options. The chart below is given for general reference only.

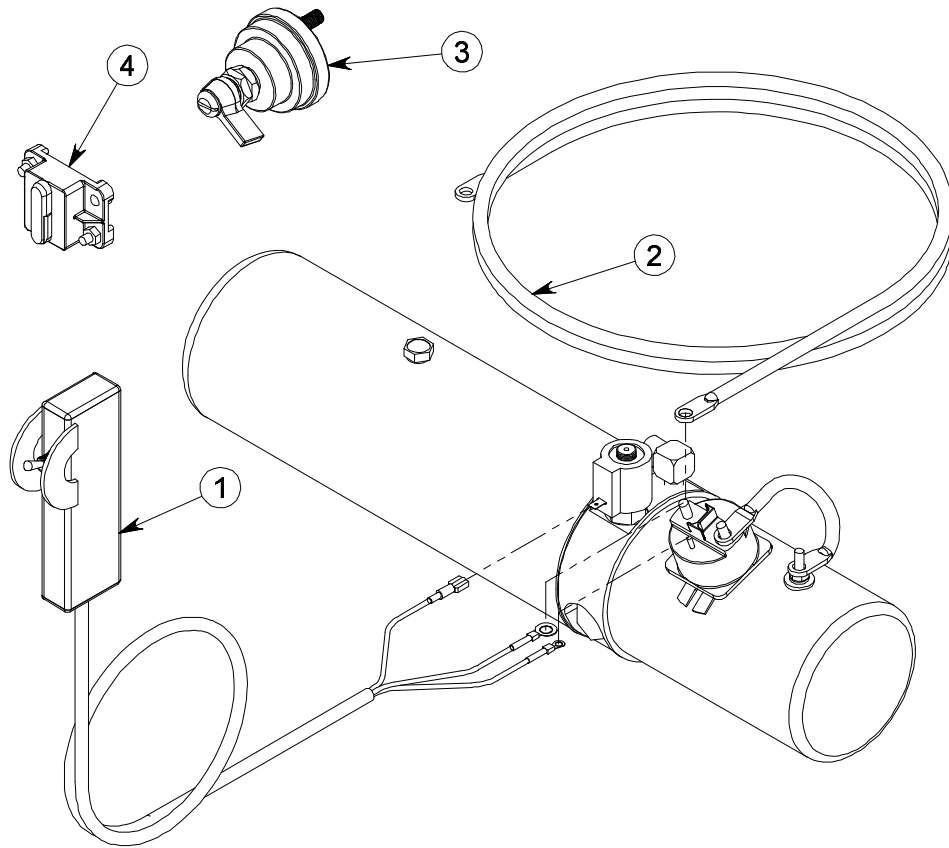
When ordering replacement platform sections, please provide the following information:

- Platform Size Depth, Width, Thickness
- Material Type Steel, Aluminum
- Ramp Type Fixed, Flip, Auto Cart Stop



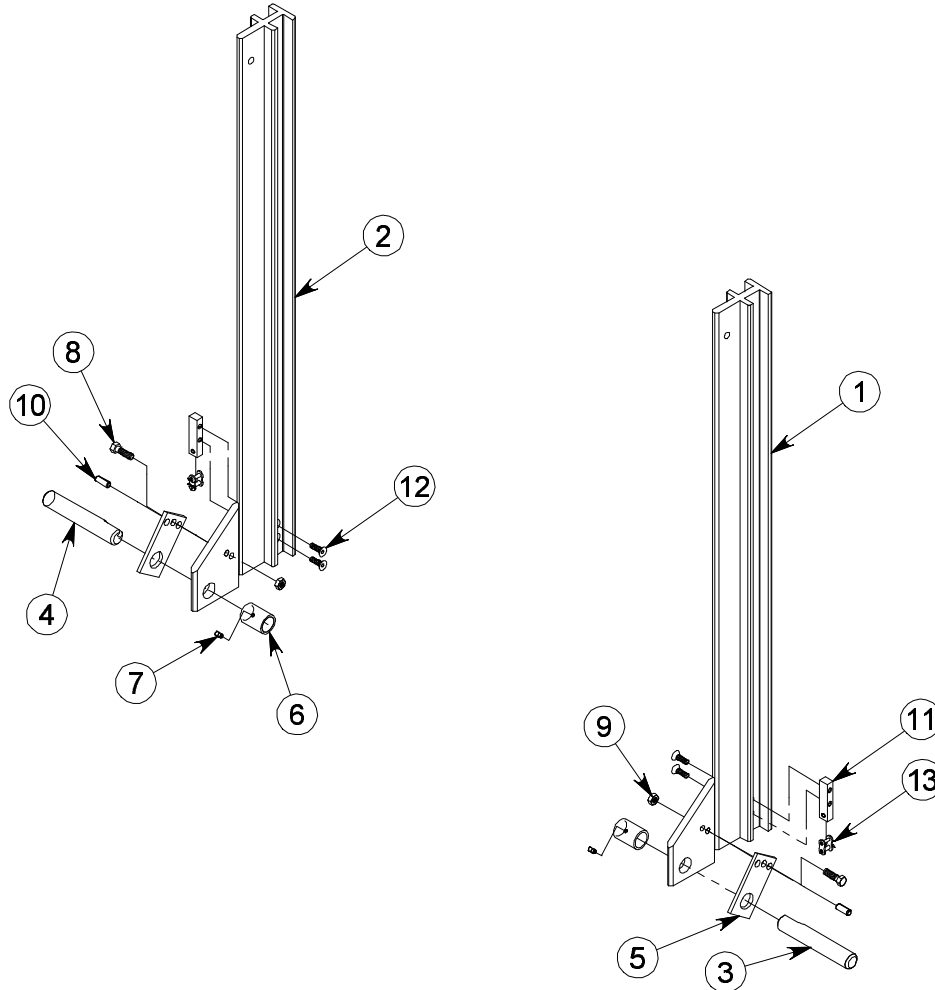
ITEM #	DESCRIPTION	73"X30"	89"X30"	89"X36"	89"X42"	73"X30"	89"X30"	89"X36"	89"X42"	89"X48"	89"X54"	89"X60"	QTY
		STEEL	STEEL	STEEL	STEEL	ALUM	ALUM	ALUM	ALUM	ALUM	ALUM	ALUM	
1	ENTIRE PLATFORM												1
2	HINGE PIN, RH	16494	16494	16495	16495	16494	16494	16494	16495	16207	16207	20265	1
3	HINGE PIN, LH	16494	16494	16494	16495	16494	16494	16494	16494	16207	16207	20265	1
4	BUSHING					20123						20124	2
5	COLLAR, HINGE PIN					12213						20205	2
6	SCREW, SQUARE HEAD							20212					2
7	HANDLE, RUBBER	N/A		20292*					N/A				1
8	COVER, BILLBOARD	11089	11098	11096	11097				N/A				1
9	COVER, TORSION BAR	11101		12000					20174				1
10	NUT							16200					2
11	U-BOLT							16199					2
12	SIDE CHAIN	20213		20213		20213	20213						2
		31 LINKS		38 LINKS*									
13	CHAIN SLEEVE	12382		16382*		12382				16382			2
14	SHACKLE							20216					4
15	TOSION BAR	20037	20237	20241	20241	20037	20237	20237	20241	20241	20241	20245	2
16	TORSION BAR	20037	20237	20237	20241	20037	20237	20237	20237	20241	20241	20245	2

Electrical Components



ITEM #	DESCRIPTION	PART #	QTY
1	TOGGLE SWITCH ASSEMBLY	10179	1
2	CABLE, BATTERY	16369	1
3	MASTER DISCONNECT SWITCH	20450	1
4	CIRCUIT BREAKER	20453	1

Slider Assembly



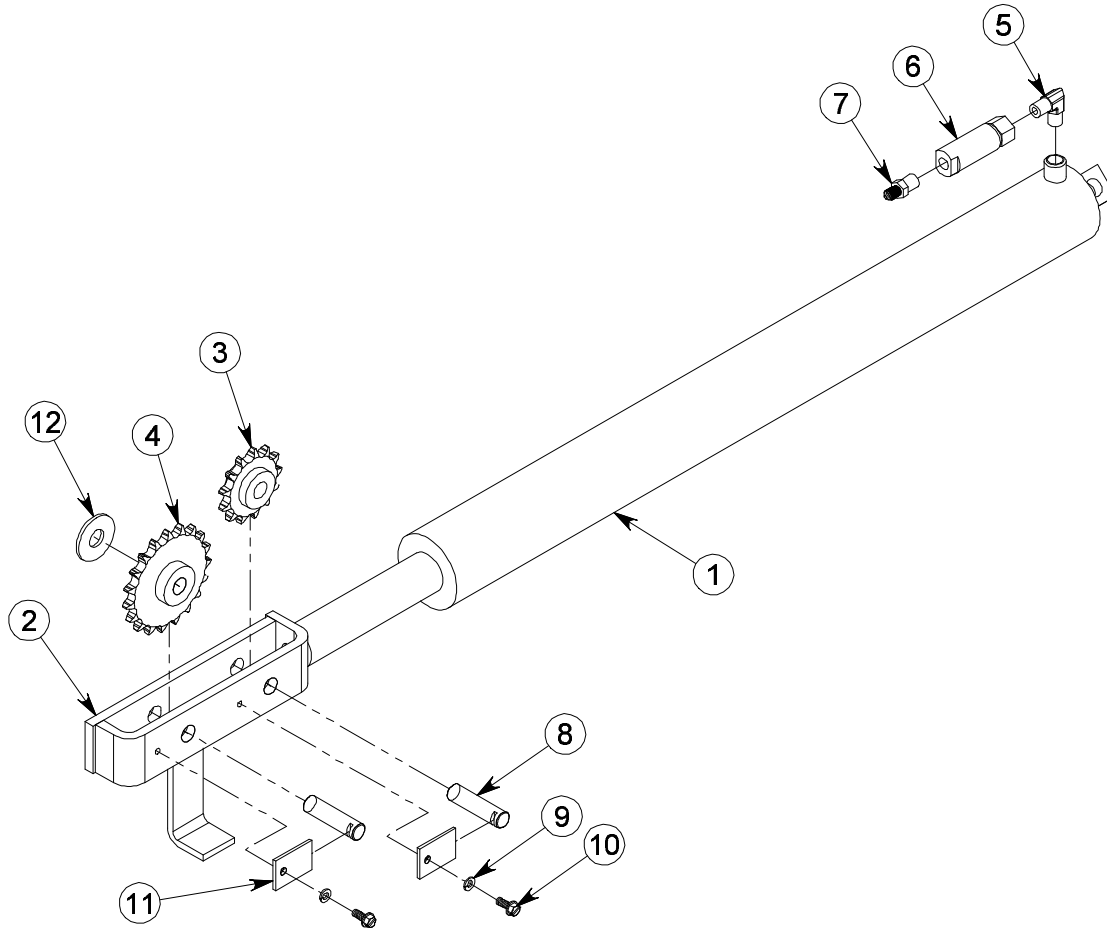
ITEM #	DESCRIPTION	DL12		DL16-DL30					QTY	
		73"X30"	89"X30"	89"X30"	89"X36"	89"X42"	89"X48"	89"X54"		89"X60"
1	SLIDER ASSEMBLY, RH	12054*		20535*			16007*			1
2	SLIDER ASSEMBLY, LH	12055*		20536*			16008*			1
3	HINGE PIN, RH	16494	16494	16494	16494	16495	16207	16207	20265	1
4	HINGE PIN, LH	16494	16494	16494	16494	16494	16207	16207	20265	1
5	LOCKING TAB	12208						16208		1
6	COLLAR, HINGE PIN				12213		20205			1
7	SCREW, SQUARE HEAD				20212					8
8	BOLT				10085					8
9	NUT				20210					2
10	ROLL PIN				10194					2
11	TERMINATION BLOCK				20006**					4
12	SCREW, TERMINATION BLOCK				10006					2
13	CHAIN, MASTER LINK				20010**					2

*THE SLIDERS ARE REVERSED IN ABOVE FLOOR MODELS

**DL30'S RECEIVE THE FOLLOWING:

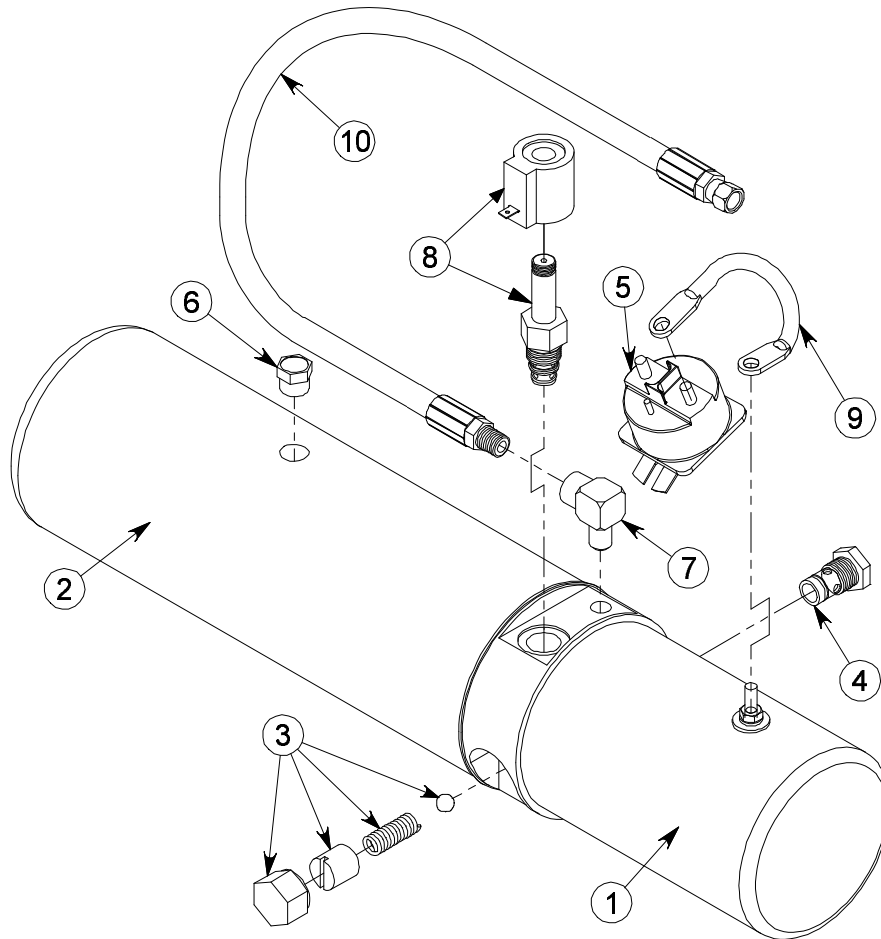
11	TERMINATION BLOCK	30002
13	CHAIN, MASTER LINK	30004

Cylinder Assembly



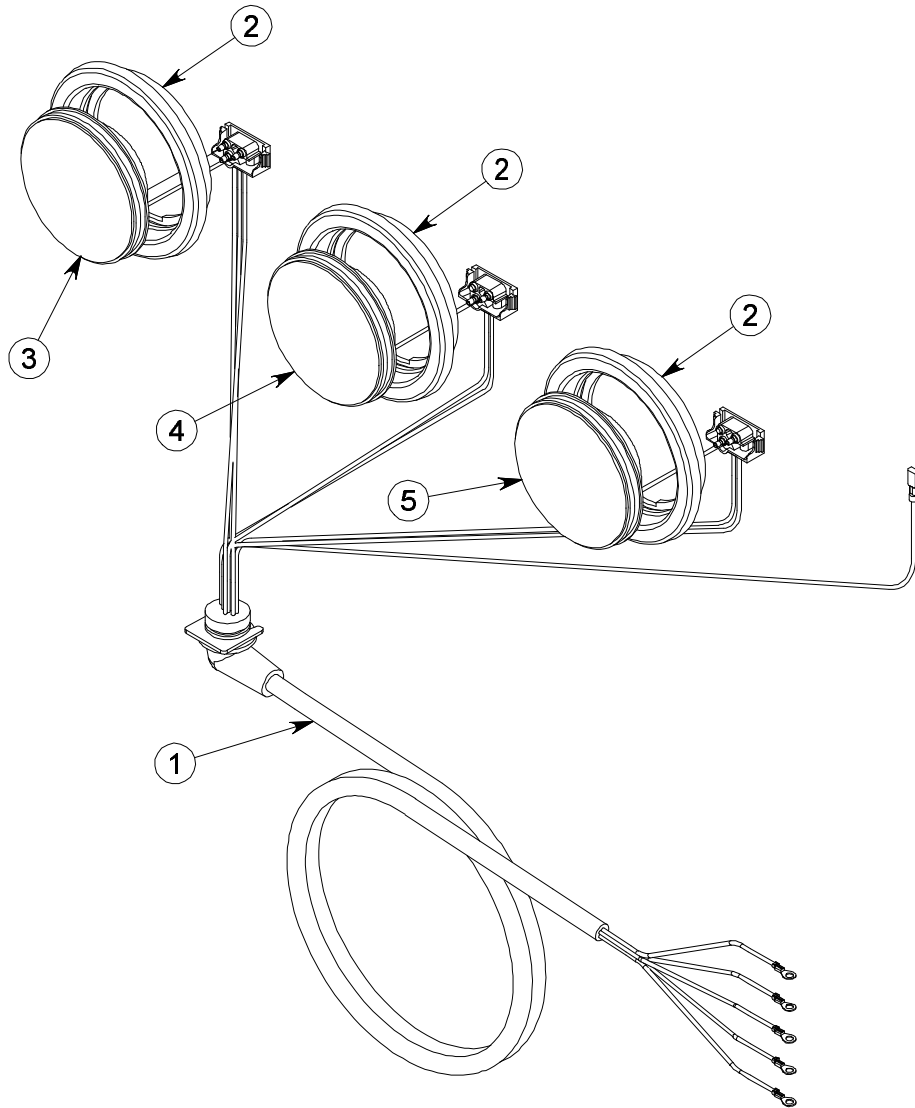
ITEM #	DESCRIPTION	DL12 STD	DL12 AF & DL16	DL20	DL30	QTY
	COMPLETE CYLINDER ASSEMBLY	10123	20578	16216	30117	1
1	CYLINDER	2" X 22½" 12133	2" X 27" 16132	2½ X 27" 40111		1
2	CYLINDER HEAD		10109		20111	1
3	SPROCKET, SMALLER, WITH BEARING		20013		30107	1
4	SPROCKET, LARGER, WITH BEARING		20108		30106	1
5	FITTING, 90° MALE NPT		20473			1
6	FLOW CONTROL		25182	25183		1
7	FITTING, STRAIGHT, NPT-JIC		25021			1
8	PIN, SPROCKET		20016			2
9	WASHER, LOCK		10256			2
10	SCREW, SELF TAPPING		10255			2
11	PIN RETAINER, SPROCKET		20018			2
12	WASHER		20017			1

Hydraulic Power Unit Assembly



ITEM #	DESCRIPTION	DL12	DL16 TO DL30	QTY
	POWER UNIT ASSEMBLY	DB1462 20622	DB1436 20717	1
1	MOTOR,		25163	1
2	RESERVOIR	12215	25480	1
3	VALVE, RELIEF		68226	1
4	VALVE, CHECK		25477	1
5	SOLENOID, 12VDC		20722	1
6	BREATHER		12291	1
7	FITTING, 90°		20483	1
8	VALVE, RELEASE		10137	1
9	CABLE, SOLENOID		10022	1
10	HOSE, HIGH PRESSURE		10044	1

Light Option

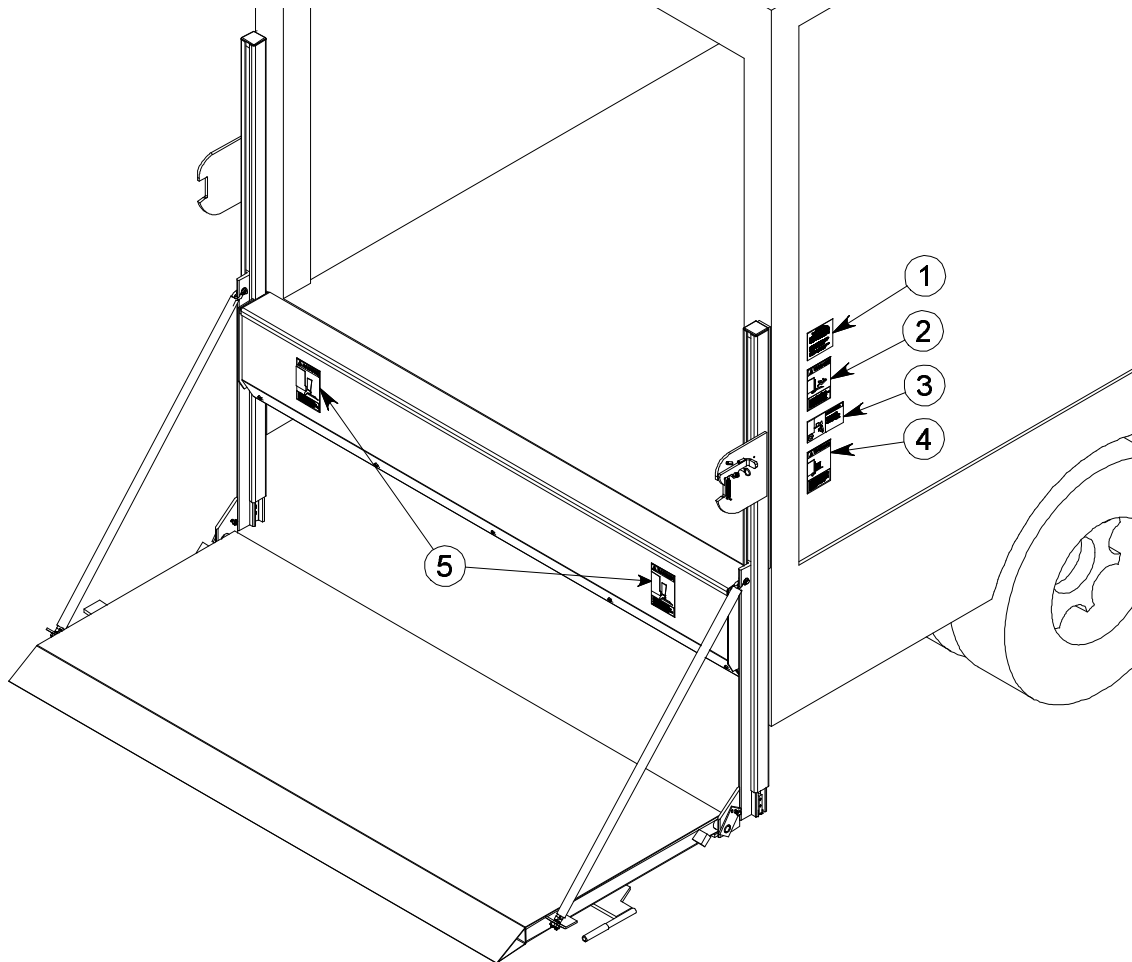


ITEM #	DESCRIPTION	4 LIGHT	6 LIGHT	QTY
	LIGHT KIT ASSEMBLY	16075	16076	2
1	LIGHT HARNESS	16093	16105	2
2	GROMMET, TAIL LIGHT		16059	4/6
3	LIGHT, RED		16062	1
4	LIGHT, YELLOW	N/A	16063	1
5	LIGHT, WHITE		16061	1

Decals

Properly placed warning decals are an essential part of your safety program. Check that all safety decals are in place and are legible. Any missing decals **MUST** be replaced immediately. Replacement decals may be obtained **FREE** of charge from your distributor or by phoning, writing, or faxing us.

Following are the proper decals that you should have and their proper locations:



PART #	DESCRIPTION	UNITED STATES				CANADA				QTY
		DL12	DL16	DL20	DL30	DL12	DL16	DL20	DL30	
1	URGENT WARNING	16181				20427				1
2	WARNING, AVOID RIDING	16182				20411				1
3	WARNING, KEEP CLEAR	20425				20428				1
4	WARNING, MAX. CAPACITY	16178	16179	16180	16185	10182	16194	20424	30426	2
5	DANGER, LIFTGATE CAN CRUSH	20413				20426				2

Help and Service

With careful maintenance and operation your **Ultron** liftgate should give you years of trouble free use. If a problem does develop, contact your liftgate distributor. They are best equipped to service your liftgate.

If you have suspected warranty problems, contact the distributor from whom you purchased the liftgate. They will normally process your claim from start to finish.

Your distributor will repair your liftgate and get you on the road as quickly as possible. They may invoice you for this service. If the problem is found to be warrantable by Ultron Lift Corp., Ultron liftgates will issue your Distributor a credit, which should then be credited back to you.