



GBD Series™

Gas Bottle Direct Vertical Lift Series
Rail Style Liftgate

4500 lb. Capacity

SERVICE PARTS LOCATOR

For Models: GBD4536 • GBD4542



Ultron Lift Inc.
Les Hayons Ultron Inc.
12 Industrial St.
Toronto, ON M4G 1Y9 Canada
Phone: 416-421-7987
Fax: 416-421-7927

Ultron Lift Corp.
190 Lewis St. • PO Box 6126
Buffalo, NY 14240-6126 USA
Phone: 800-289-1335
716-853-7994
Fax: 716-854-5424

www.ultronlift.com

Introduction

Each Ultron liftgate is manufactured to stringent quality standards for years of reliable service. To ensure maximum performance of your Ultron liftgate, always specify and use “OEM Parts” from Ultron Lift.* Look for Ultron Lift “OEM Parts” display rack at your local distributor or call us.

This manual is a complete parts listing for GBD Liftgates from 3500 to 4500 lb. capacity. We have provided charts and diagrams to make the selection of the correct part as easy as possible.

This manual does not provide procedures for the servicing and repair of an Ultron liftgate. Service and repair should only be performed by an authorized Ultron Lift distributor. For information on the nearest authorized Ultron Lift distributor contact:



Ultron Lift Inc.
Les Hayons Ultron Inc.
12 Industrial St.
Toronto, ON M4G 1Y9 Canada
Phone: 416-421-7987
Fax: 416-421-7927

Ultron Lift Corp.
190 Lewis St. • PO Box 6126
Buffalo, NY 14240-6126 USA
Phone: 800-289-1335
716-853-7994
Fax: 716-854-5424

www.ultronlift.com

** The use of non-standard or makeshift parts can be extremely hazardous and result in serious injury or death.*

Table of Contents

Introduction.....1

General Information.....3

Ordering Information.....4

Key Components5

H-Frame6

Platform7

Electrical Components.....8

Slider Assembly9

Cylinder Assembly.....10

Dual Hydraulic Power Unit Assembly11

Single Hydraulic Power Unit Assembly.....12

Decals.....13

Help and Service14

General Information

MODEL NUMBER CODING

The code and model numbers of a liftgate are references to its size, type and capacity. Using these numbers when ordering or specifying improves customer satisfaction and delivery.

Model Number: **GBD4542**

<u>GBD</u>	<u>45</u>	<u>42</u>
1	2	3

1. **LIFTGATE TYPE**
GBD = Gas Bottle Vertical Lift Style Liftgate
2. **WEIGHT CAPACITY**
45 = 4500 lb. Capacity
3. **DEPTH OF PLATFORM** (not including ramp)
36 = 36" of platform loading area
42 = 42" of platform loading area

Ordering Information

STEP 1 Determine the assembly on which the desired part is located using either the Table of Contents (page 2) or the Key Components diagram (page 5)

STEP 2 Identify the Item number from the appropriate part in the assembly diagram.

STEP 3 Locate the appropriate row listing the Item number in the table below the assembly diagram.

ITEM #	DESCRIPTION	GBD4536	GBD4542
1	SLIDER, LH	68004	
2	WEAR PAD, UPPER BACK	68009	
3	WEAR PAD PLATE, UPPER FRONT	68014	

STEP 4 Locate the column in the table that matches your model liftgate.

ITEM #	DESCRIPTION	GBD4536	GBD4542
1	SLIDER, LH	68004	
2	WEAR PAD, UPPER BACK	68009	
3	WEAR PAD PLATE, UPPER FRONT	68014	

STEP 6 Find the correct part number.

ITEM #	DESCRIPTION	GBD4536	GBD4542
1	SLIDER, LH		68004
2	WEAR PAD, UPPER BACK	68009	
3	WEAR PAD PLATE, UPPER FRONT	68014	

STEP 7 Order the part

Model Number: GBD4542
 Part Name: Slider, LH
 Quantity Required: 1
 Part Number: 68004

Key Components

Power Units:
Pages 11 & 12

Decals:
Page 13

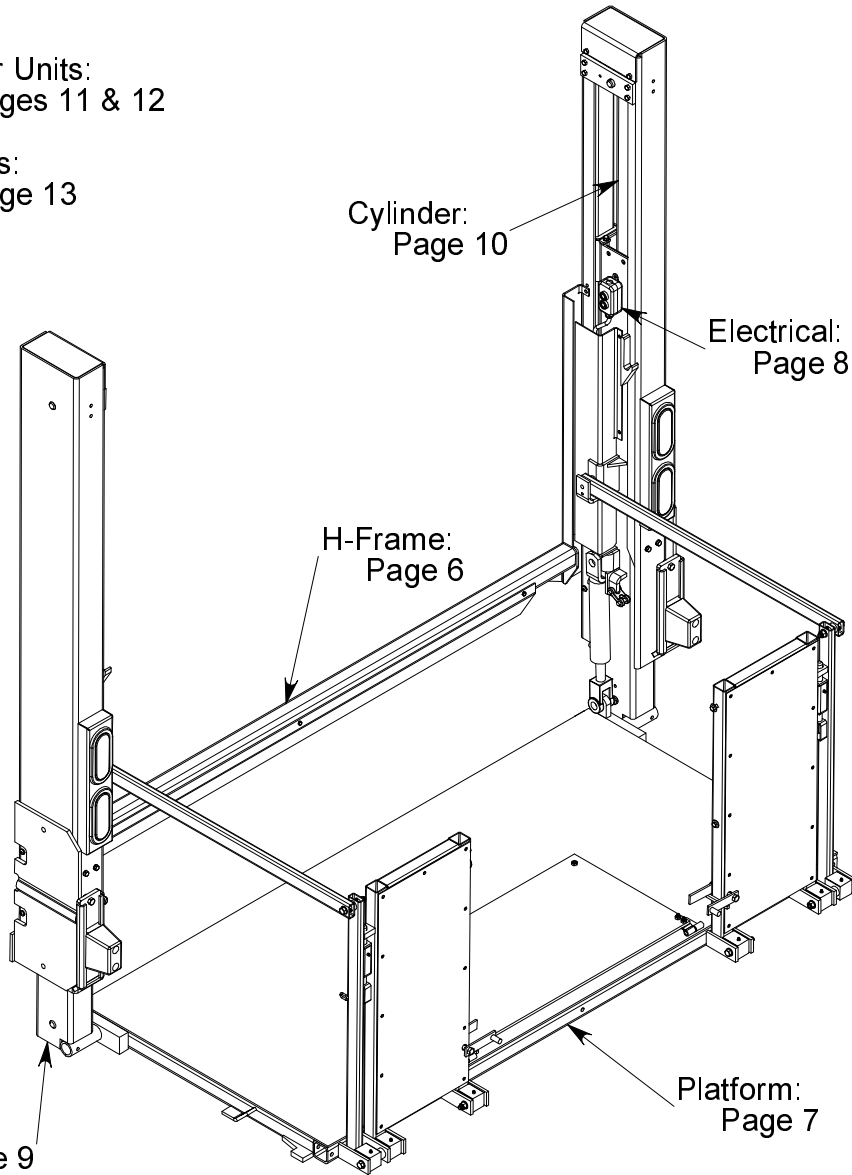
Cylinder:
Page 10

Electrical:
Page 8

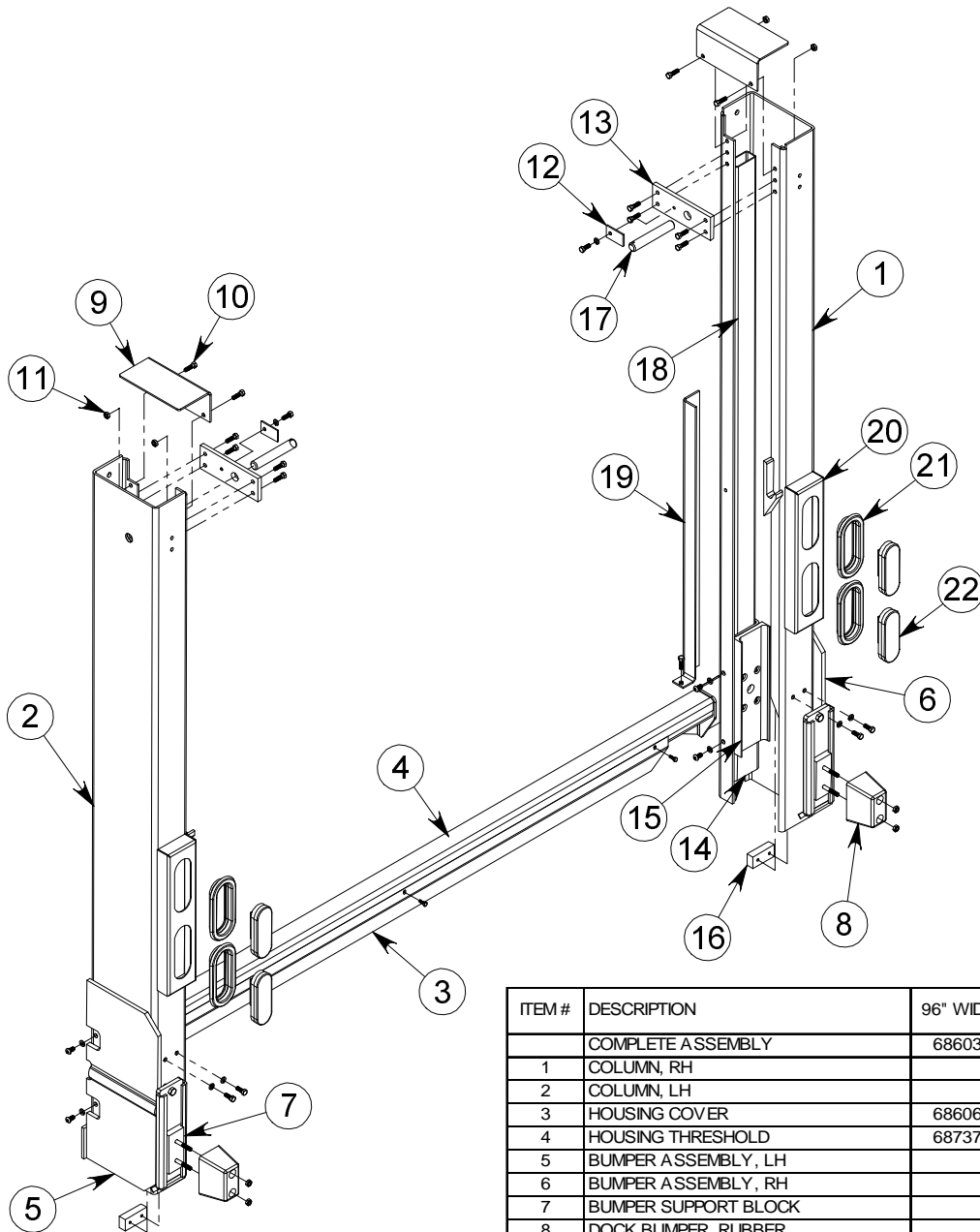
H-Frame:
Page 6

Sliders:
Page 9

Platform:
Page 7



H-Frame



ITEM #	DESCRIPTION	96" WIDE	102" WIDE	QTY
	COMPLETE ASSEMBLY	68603	68503	1
1	COLUMN, RH		68524	1
2	COLUMN, LH		68507	1
3	HOUSING COVER	68606	68518	1
4	HOUSING THRESHOLD	68737	68833	1
5	BUMPER ASSEMBLY, LH		68387	1
6	BUMPER ASSEMBLY, RH		68388	1
7	BUMPER SUPPORT BLOCK		68385	2
8	DOCK BUMPER, RUBBER		68588	2
9	TRACK CAP		68542	2
10	BOLT, 3/8" X 1 1/4"		10085	13
11	NUT, 3/8"		20210	16
12	LOCKING TAB, CYLINDER PIN		68018	2
13	BRACKET, CYLINDER SUPPORT		68003	2
14	WEAR PAD PLATE, LOWER BACK		68006	2
15	WEAR PAD, LOWER BACK		68007	2
16	SPACER PLATE, LOWER FRONT		68026	2
17	PIN, CYLINDER		68017	2
18	HOSE GUIDE		68508	2
19	POC COVER, FRAME		68656	1
20	LIGHT BRACKET, OVAL LED		68164	2
21	GROMMET, OVAL LIGHT		16137	4
22	LED LIGHT, OVAL, RED		16416	4

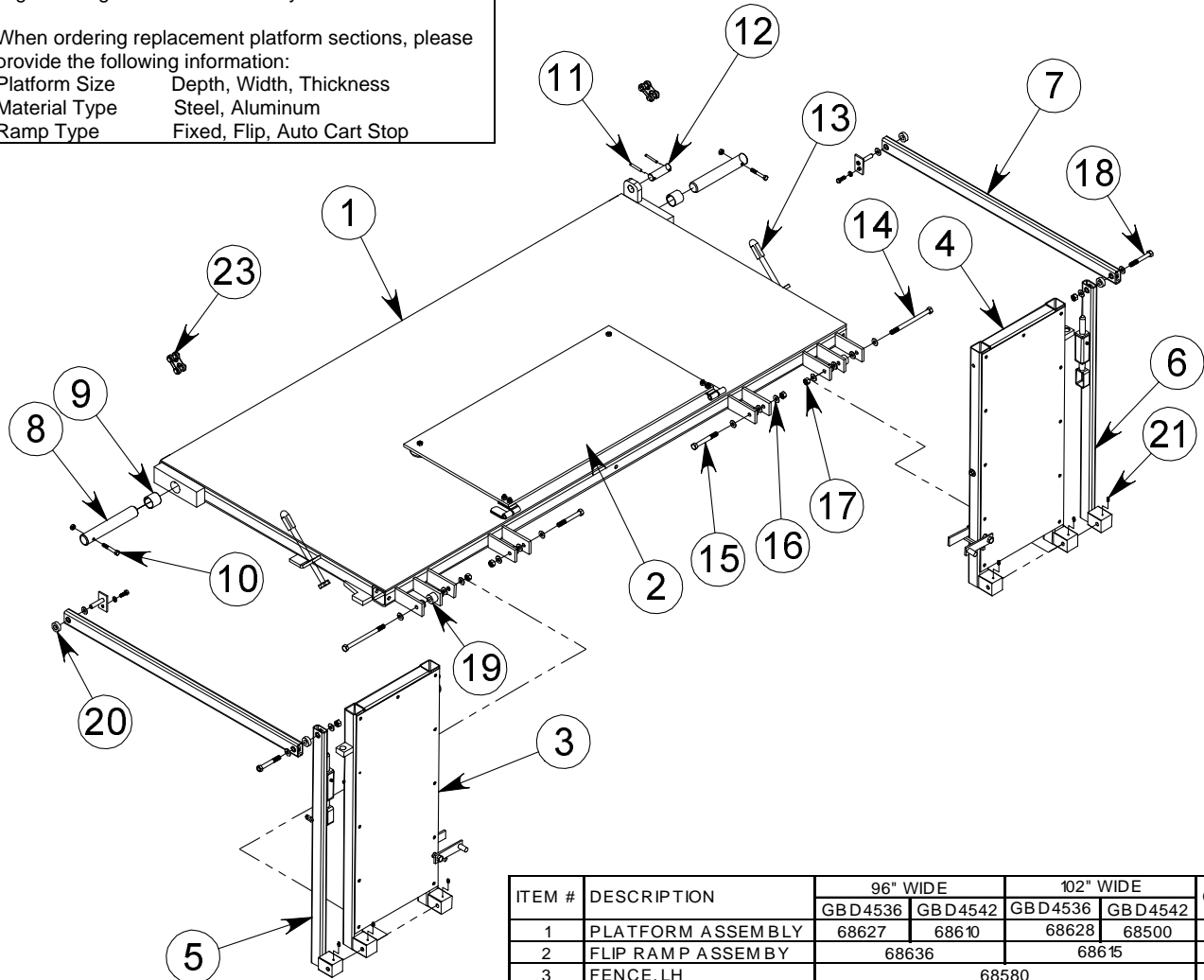
Platform

Platforms are available in many different sizes, material types, and special options. The chart below is given for general reference only.

When ordering replacement platform sections, please provide the following information:

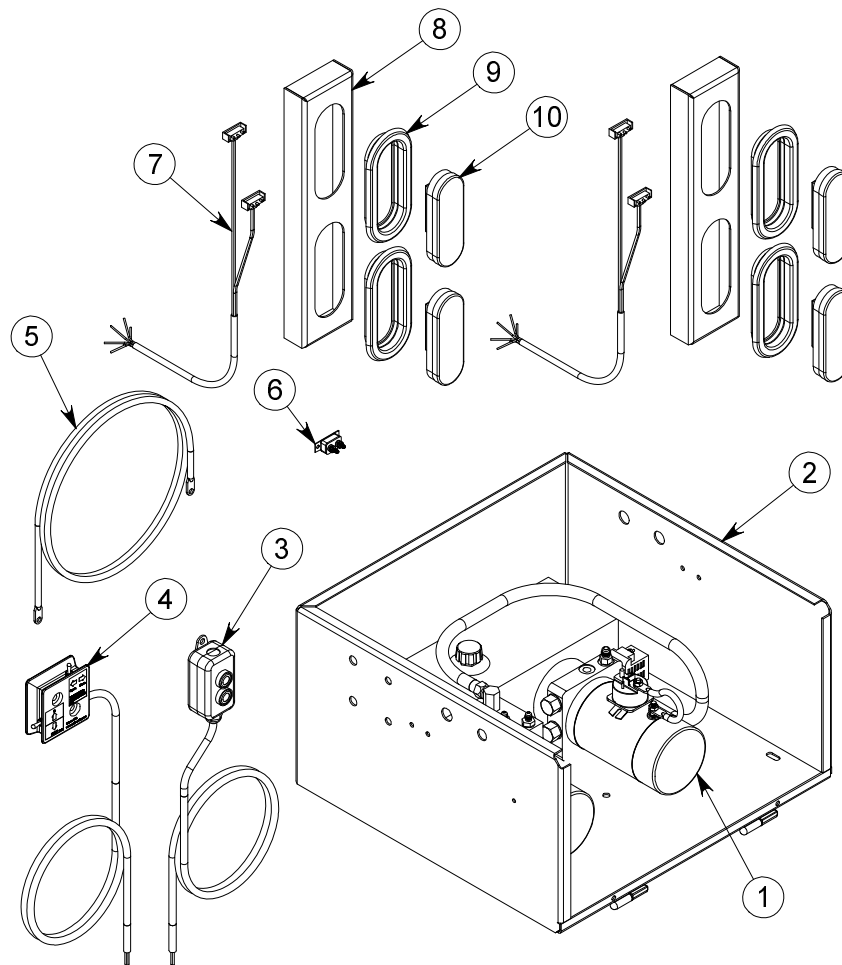
Platform Size Depth, Width, Thickness
 Material Type Steel, Aluminum
 Ramp Type Fixed, Flip, Auto Cart Stop

- Platform Bracket 68965
- POC Bracket 68723
- Add Bushings to Bracket



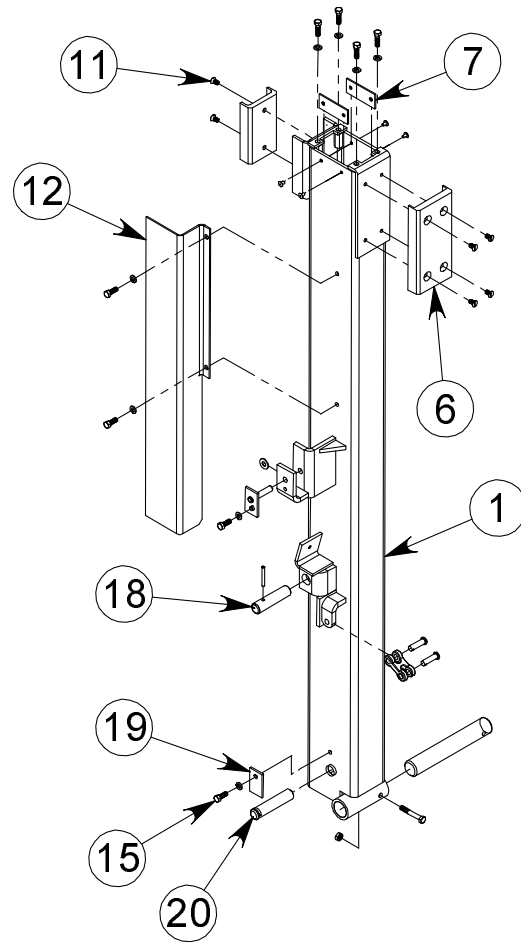
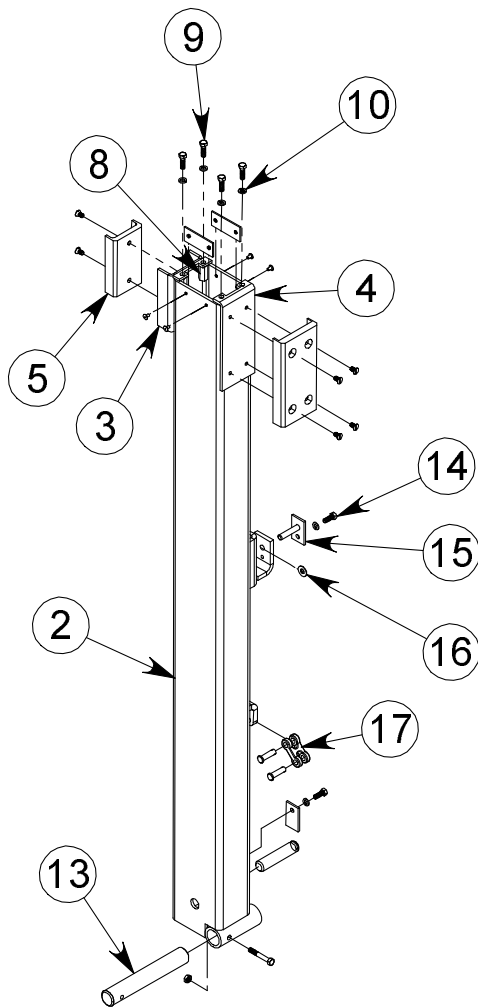
ITEM #	DESCRIPTION	96" WIDE		102" WIDE		QTY
		GBD4536 68627	GBD4542 68610	GBD4536 68628	GBD4542 68500	
1	PLATFORM ASSEMBLY					1
2	FLIP RAMP ASSEMBY	68636		68615		1
3	FENCE, LH	68580				1
4	FENCE, RH	68591				1
5	FENCE ARM, LH	68592				1
6	FENCE ARM, RH	68594				1
7	FENCE, SIDE ARM	68636	68589	68636	68589	2
8	PIN, PLATFORM	68034				2
9	BUSHING, PLATFORM	68119				2
10	BOLT, 3/8" X 2 1/2"	30016				2
11	ROLL PIN, 1/4" X 2"	25296				2
12	PIN, POC, LOWER	68021				1
13	UBOLT, 1/2"	30045				2
14	BOLT, 1/2" X 7"	30272				2
15	BOLT, 1/2" X 5"	30245				2
16	WASHER, 1/2"	30248				26
17	NUT, 1/2"	30046				10
18	BOLT, 1/2" X 3 1/2"	30026				2
19	NYLON ROLLER, 7/8"	30277				2
20	NYLON ROLLER, 1/2"	30276				4
21	GREASE FITTING, 3/16"	20220				16
22	SIDE CHAIN	30213 - 20 LINKS				2
23	SHACKLE	68138				2

Electrical Components



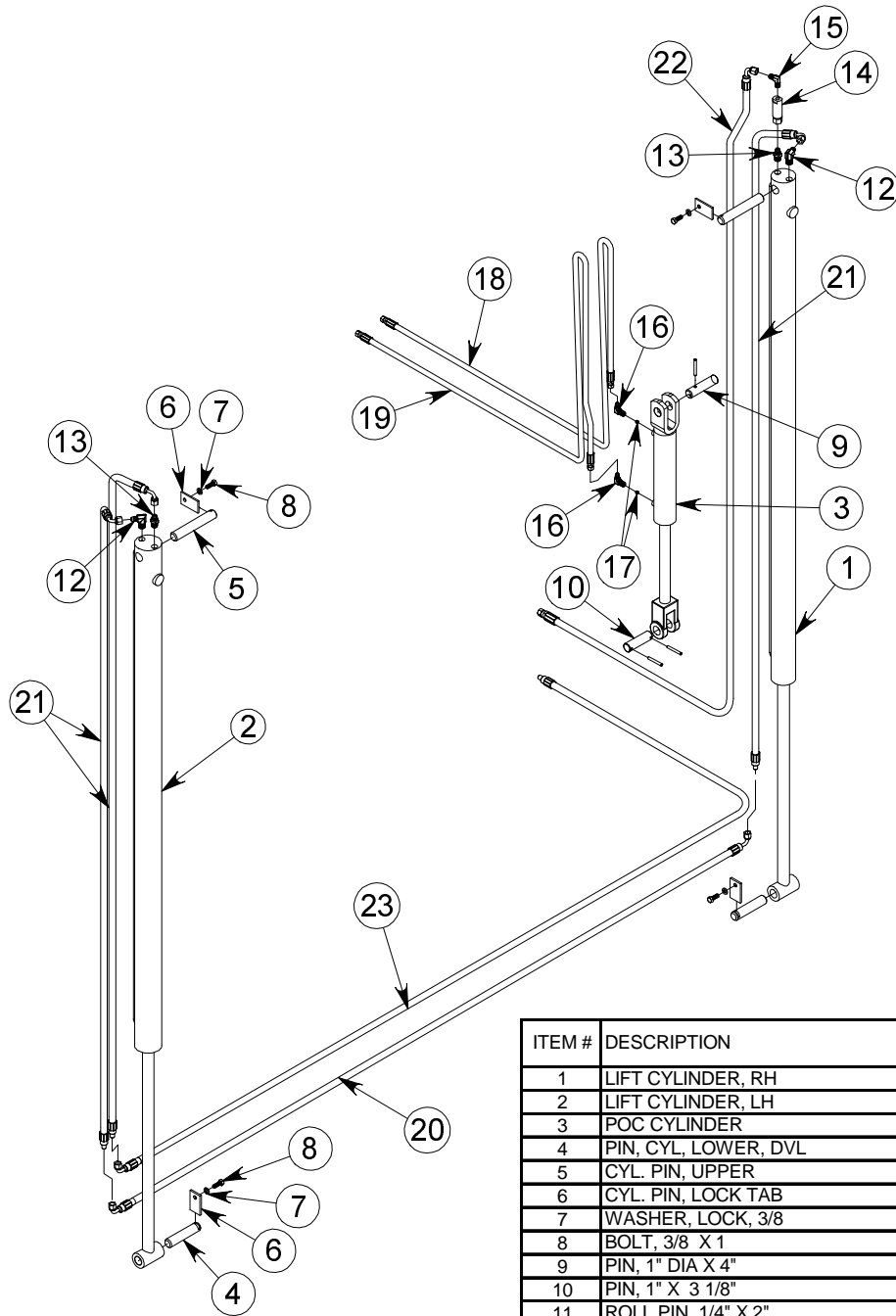
ITEM #	DESCRIPTION	PART #		QTY
		GBD45	GBD60	
1	POWER UNIT	68030	68839	1
2	POWER UNIT BOX	68202	68677	1
3	SWITCH, SLIDER MOUNT	68337		1
4	SWITCH, MAIN	68891		1
5	BATTERY CABLE	20725		1
6	CIRCUIT BREAKER, 15 AMP	11062		1
7	HARNESS, TWO LIGHT	68231		2
8	BRACKET, TWO LIGHT, OVAL	68164		2
9	GROMMET, OVAL LIGHT	16137		4
10	LIGHT, STOP, LED	16416		4

Slider Assembly



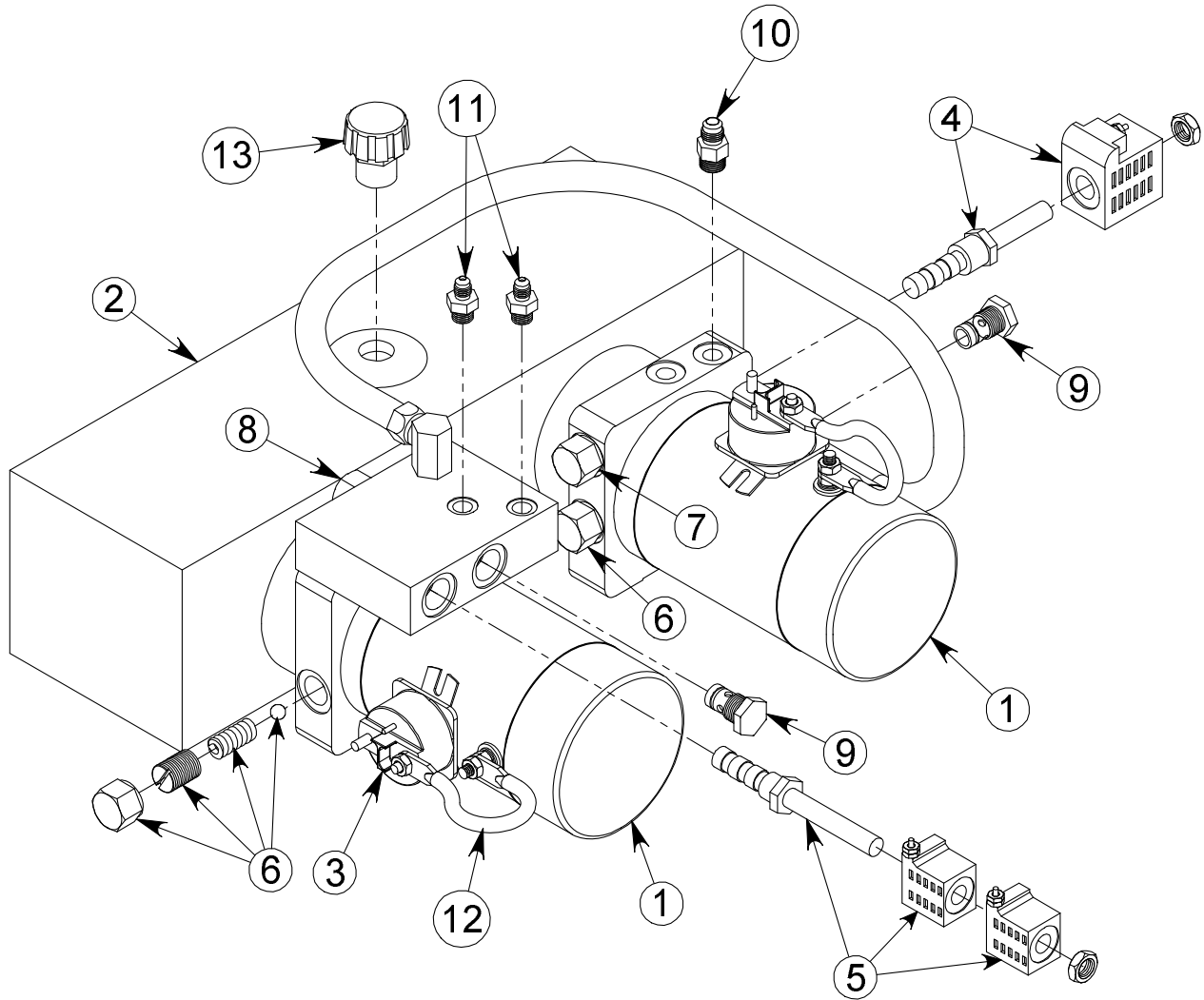
ITEM #	DESCRIPTION	PART #	QTY
1	SLIDER, RH	68509	1
2	SLIDER, LH	68510	1
3	WEAR PAD PLATE, UPPER BACK	68009	2
4	WEAR PAD PLATE, UPPER FRONT	68014	2
5	WEAR PAD, UPPER BACK	68011	2
6	WEAR PAD, UPPER FRONT	68024	2
7	WEAR PAD, CYLINDER	68048	4
8	NUT, COUPLING, 3/8"	68012	8
9	BOLT, 3/8" X 1 1/4"	10085	8
10	WASHER, LOCK, 3/8"	10092	14
11	SCREW, BRASS FLAT HEAD, 5/16"	16338	12
12	HOSE GUARD	68654	1
13	PIN, PLATFORM	68034	2
14	BOLT, 3/8" X 1"	20211	6
15	PIN ASSEMBLY, FENCE	68682	2
16	WASHER, 1/2"	30248	2
17	SHACKLE	68138	2
18	PIN, POC, UPPER	68659	1
19	LOCKING TAB, CYLINDER PIN	68018	2
20	PIN, CYLINDER, LOWER	68033	2

Cylinder Assembly



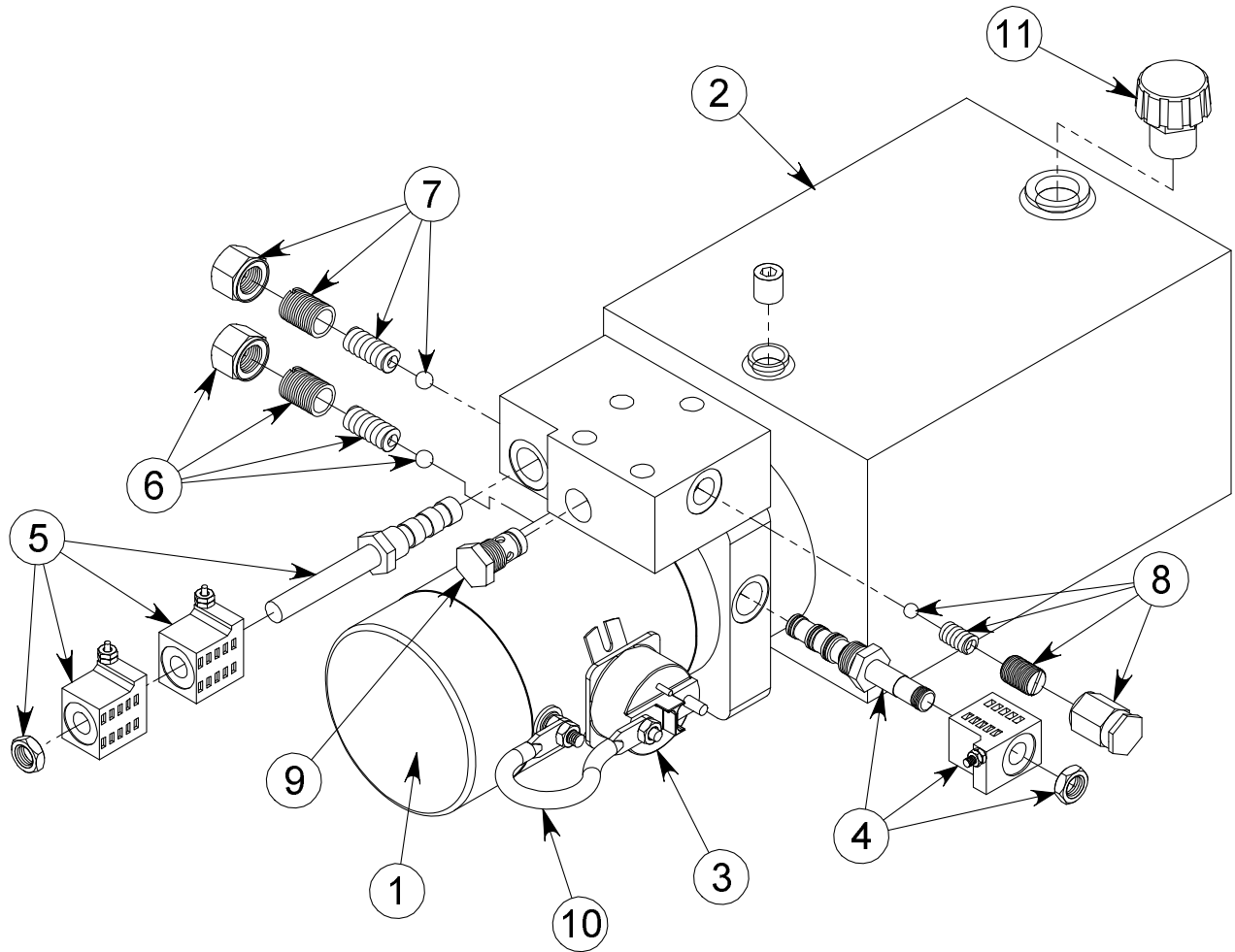
ITEM #	DESCRIPTION	PART #	QTY
1	LIFT CYLINDER, RH	68022	1
2	LIFT CYLINDER, LH	68025	1
3	POC CYLINDER	40128	1
4	PIN, CYL, LOWER, DVL	68033	2
5	CYL. PIN, UPPER	68017	2
6	CYL. PIN, LOCK TAB	68018	4
7	WASHER, LOCK, 3/8	10092	4
8	BOLT, 3/8 X 1	20211	4
9	PIN, 1" DIA X 4"	68659	1
10	PIN, 1" X 3 1/8"	68021	1
11	ROLL PIN, 1/4" X 2"	25296	3
12	FITTING, 90°, 3/8 NPTM X 3/8 JICM	68051	2
13	FITTING, 3/8 NPTM X 3/8 JICM	68055	2
14	VALVE, PRESSURE COMP. 1.5 GPM	25180	1
15	FITTING, 90°, 1/4 NPTM X 3/8 JICM	68062	1
16	FITTING, 90°, 1/4 NPTM X 1/4 JICM, TAP	20365T	2
17	FLOW RESTRICTOR ORIFICE, POC	40120	2
18	HOSE, HP, 1/4 X 120"	68065	1
19	HOSE, HP, 1/4 X 128"	68066	1
20	HOSE, HP, 3/8 X 112"	68841	1
21	HOSE, HP, 3/8 X 88.5"	68842	3
22	HOSE, HP, 3/8 X 149"	68843	1
23	HOSE, HP, 3/8 X 169"	68844	1

Dual Hydraulic Power Unit Assembly



ITEM #	DESCRIPTION	PART #	QTY
	POWER UNIT ASSEMBLY	68839	1
1	MOTOR	25163	2
2	RESEVOIR	68629	1
3	SOLENOID, 12VDC	20722	2
4	VALVE, 4W2P, CARTRIDGE	68043	1
5	VALVE, 4W3P, CARTRIDGE	68225	1
6	VALVE, RELIEF, MAIN	68226	1
7	VALVE, RELIEF, POWER DOWN	68227	1
8	VALVE, RELIEF, POC	68230	1
9	VALVE, CHECK	25477	2
10	FITTING, 9/16 X 3/8 JIC	68057	1
11	FITTING, 9/16 X 1/4 JIC	68056	2
12	CABLE, SOLENOID	10022	2
13	FILLER CAP	20979	1

Single Hydraulic Power Unit Assembly

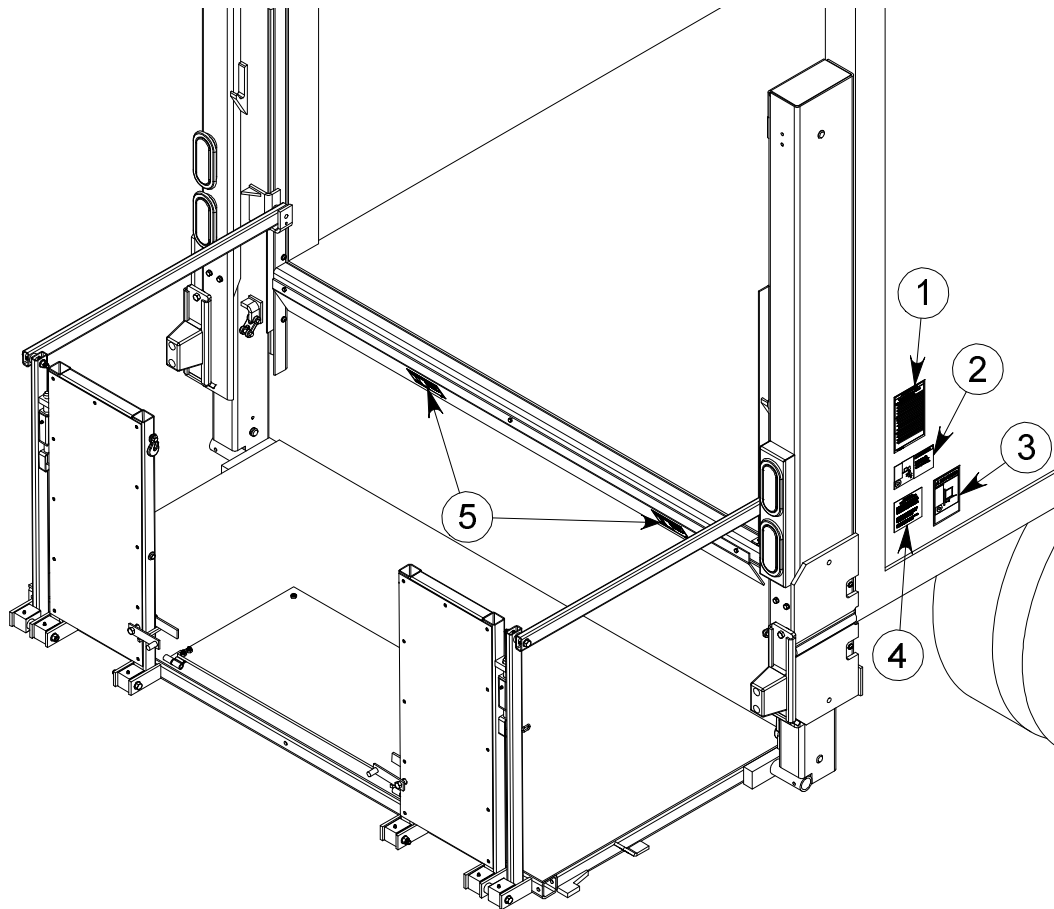


ITEM #	DESCRIPTION	PART #	QTY
	POWER UNIT ASSEMBLY	68030	1
1	MOTOR	25163	1
2	RESEVOIR	68234	1
3	SOLENOID, 12VDC	20722	1
4	VALVE, 4W2P, CARTRIDGE	68224	1
5	VALVE, 4W3P, CARTRIDGE	68225	1
6	VALVE, RELIEF, MAIN	68226	1
7	VALVE, RELIEF, POWER DOWN	68227	1
8	VALVE, RELIEF, POC	68230	1
9	VALVE, CHECK	25477	1
10	CABLE, SOLENOID	10220	1
11	FILLER CAP	20979	1

Decals

Properly placed warning decals are an essential part of your safety program. Check that all safety decals are in place and are legible. Any missing decals **MUST** be replaced immediately. Replacement decals may be obtained **FREE** of charge from your distributor or by phoning, writing, or faxing us.

Following are the proper decals that you should have and their proper locations:



ITEM #	DESCRIPTION	UNITED STATES	CANADA	QTY
		PART #	PART #	
1	OPERATING INSTRUCTIONS	68242	68243	1
2	WARNING, KEEP CLEAR	20425	20428	1
3	WARNING, MAX. CAPACITY	68217	68219	2
4	URGENT WARNING	16181	20427	1
5	DANGER, LIFTGATE CAN CRUSH	16184	20426	2

Help and Service

With careful maintenance and operation your **Ultron** liftgate should give you years of trouble free use. If a problem does develop, contact your liftgate distributor. They are best equipped to service your liftgate.

If you have suspected warranty problems, contact the distributor from whom you purchased the liftgate. They will normally process your claim from start to finish.

Your distributor will repair your liftgate and get you on the road as quickly as possible. They may invoice you for this service. If the problem is found to be warrantable by Ultron Lift Corp., Ultron liftgates will issue your Distributor a credit, which should then be credited back to you.